
GARDNER DENVER®

3-528
1st Edition
May, 1996

DUPLEX POWER PUMP

MODEL

FXE_ _ B

10" STROKE

PARTS LIST

Gardner

Denver

MAINTAIN PUMP RELIABILITY AND PERFORMANCE WITH GENUINE GARDNER DENVER, AJAX AND OPI PARTS AND SUPPORT SERVICES

Gardner Denver[®], AJAX[®], and OPI[®] genuine pump parts are manufactured to original tolerances and designed for optimum dependability. Design and material innovations are the result of years of experience with hundreds of different pump applications. Reliability in materials and quality assurance are incorporated in our genuine replacement parts.

Your authorized Gardner Denver, AJAX and OPI distributor offers all the backup you'll need. A worldwide network of authorized distributors provides the finest product support in the pump industry.

Your local authorized distributor maintains a large inventory of genuine parts and he is backed up for emergency parts by the Gardner Denver Machinery Inc. Master Distribution Center (MDC) in Memphis, Tennessee.

Your authorized distributor can support your Gardner Denver, AJAX and OPI pump needs with these services:

1. Trained parts specialists to assist you in selecting the correct replacement parts.
2. A full line of factory tested pump lubricants specifically formulated for use in Gardner Denver, AJAX and OPI pumps.
3. Repair and maintenance kits designed with the necessary parts to simplify servicing your pump.

Authorized distributor service technicians are factory-trained and skilled in pump maintenance and repair. They are ready to respond and assist you by providing fast, expert maintenance and repair services.

For the location of your local authorized Gardner Denver, AJAX and OPI distributor refer to the yellow pages of your phone directory or contact:

Distribution Center:
Gardner Denver Machinery Inc.
Master Distribution Center
5585 East Shelby Drive
Memphis, TN 38141
Phone: (901) 542-6100
(800) 245-4946
Fax: (901) 542-6159

Factory:
Gardner Denver Machinery Inc.
1800 Gardner Expressway
Quincy, IL 62301
Phone: (217) 222-5400
Fax: (217) 223-5897

INSTRUCTIONS FOR ORDERING REPAIR PARTS

When ordering parts, specify Pump MODEL and SERIAL NUMBER (see nameplate on unit). The Serial Number is also stamped on top of the cylinder end of the frame (cradle area).

All orders for Parts should be placed with the nearest authorized distributor.

Where NOT specified, quantity of parts required per pump or unit is one (1); where more than one is required

per unit, quantity is indicated in parenthesis. **SPECIFY EXACTLY THE NUMBER OF PARTS REQUIRED.**

DO NOT ORDER BY SETS OR GROUPS.

To determine the Right Hand and Left Hand side of a pump, stand at the power end and look toward the fluid end. Right Hand and Left Hand are indicated in parenthesis following a part name, i.e. (RH) & (LH), when appropriate.

For Operating and Service Instructions see:

SERVICE MANUAL 3-600

TABLE OF CONTENTS

	Page
Maintain Pump Reliability and Performance with Genuine Gardner Denver Parts and Support Services	1
Instructions For Ordering Repair Parts	1
Menu/Matrix	3
Frame Group	4
Jackshaft	5
Oil Stop Head	6
Eccentric & Shaft	7
Eccentric Shaft Bearing	7
Connecting Rod & Crosshead	8
Stuffing Box	9
Stuffing Box Gland (Optional)	9
Fluid Cylinder – 2 Piece Iron	10, 11
Fluid Cylinder – 1 Piece Iron	12, 13
Fluid Cylinder – 2 Piece Steel and Stainless Steel	14, 15
Cylinder Liners	16
Piston Rods & Nuts	17
Steel Insert – Type Piston (Standard For Slush, Grout & Cement Service)	18
Follower Type Fluid Pistons For Water & General Service (API No. 3 Taper)	19
Iron Solid-type Piston With Cast Iron Rings, Standard For Oil Service (API No. 3 Taper)	20
Cup-type Pistons, Iron & Steel For Oil & General Service, Bronze For Water Service (API No. 3 Taper – Optional)	21
Wing Guided Valve, Bronze Without Insert, Water Service	22
Wing Guided Gravel Valve, Hardened Steel With Rubber Insert (Slush, Grout & Cement Service)	23
Center Guided Valve, Steel-fitted Without Insert (Oil & General Service)	24
Center Guided Valve, Steel-fitted With Carboxylated Rubber Insert (Slush, Grout & Cement Service)	25
Wing Guided Valve With Rubber Insert, Water, Slush, Grout & Cement Service	26
Wing Guided Valve Without Insert (Oil or Water Service)	27
Wing Guided Gravel Valve, Hardened Steel With Rubber Insert (Slush, Grout & Cement Service)	28
Delrin Ball Valve (General Service) (Optional)	29
Center Guided Valve, Hardened Steel With Rubber Insert (Slush, Grout & Cement Service)	30
Center Guided Valve, Hardened Steel Without Insert (Oil Or General Service)	31
Wing Guided Valve, Bevelled Seat Without Insert (Oil, Water Or General Service)	32
Durabla Valve, Stainless Steel (General Service) (Optional)	33
Ball Guided Spherical Valve (Oil, Water Or General Service) (Optional)	34
Valve Seat Puller, Wing Guided & Gravel Type (Optional Equipment)	35
Valve Seat Puller, Wing Guided & Delrin Ball (Optional Equipment)	36
Valve Seat Puller, Center Guided (Optional Equipment)	37
Valve Seat Puller, Center Guided Type (Optional Equipment)	38
Liner Puller (Optional Equipment)	39
Liner Puller (Optional Equipment)	39
Crosshead Pin Bushing Puller (Optional Equipment)	40
Discharge Pressure Relief Valve (Shear Type) (Optional Equipment)	41
Rod Oiler (Optional Equipment)	42
Rod Oiler (Optional Equipment)	43
Surge Chamber (Optional Equipment)	44, 45

DUPLEX POWER PUMP – MODEL FXE__B MENU/MATRIX

NOTICE TO CUSTOMER – To find the construction options for your pump unit, FILL IN THE BALANCE OF LETTERS OR NUMBERS FROM YOUR UNIT NAMEPLATE

F	X	E	B							
1	2	3	4	5	6	7	8	9	10	11

COLUMN NUMBER:

FOLLOW THE LINE DOWN AND OVER FROM EACH SPACE THUS FILLED IN TO FIND THE APPROPRIATE CONSTRUCTION OPTION WITH WHICH YOUR MACHINE IS EQUIPPED. THE NUMBER "9" IN ANY COLUMN SPACE INDICATES "NOT APPLICABLE." THE NUMBER "8" IN ANY COLUMN SPACE INDICATES SPECIAL DESIGN – REFER TO FACTORY ORDER TICKET.

COLUMNS 1, 2 & 3 – BASIC FAMILY

COLUMN 4 – TYPE SERVICE–TYPE FLUID END–CONSTRUCTION

	7-1/2" 2pc Cast Iron	5-1/2" 1pc Cast Iron	5" 1pc Cast Iron	5" 2pc Cast Steel
Slush	A	B	C	D
Grout & Cement	E	F	G	H
Oil	J	K	L	M
Water	N	P	Q	R
General	R	S	T	U

COLUMN 5 – SIZE SELECTIVE

	(MASTER SIZE)		(MASTER SIZE)
A.	7-1/2" (7-1/2")	G.	5-1/2" (7-1/2" & 5-1/2")
B.	7-1/4" (7-1/2")	H.	5" (7-1/2" & 5-1/2" & 5")
C.	7" (7-1/2")	J.	4-1/2" (5-1/2" & 5")
D.	6-3/4" (7-1/2")	K.	4" (5-1/2" & 5")
E.	6-1/2" (7-1/2")	L.	3-1/2" (5-1/2" & 5")
F.	6" (7-1/2")	M.	3" (5")

COLUMN 6 – DESIGN VERSION

COLUMN 7 – LINER MATERIAL SELECTIVE

- A. Bronze – Standard for Water Service
- B. Hardened Steel – Standard for Slush, Grout & Cement, Oil and General Service
- C. Stainless Steel (Optional)

COLUMN 8 – PISTON TYPE SELECTIVE

- A. Bronze – Follower Type with Regular Cure Packing (Standard for Water Service)
- B. Bronze – Follower Type with Rock Hard Packing (Optional for Water Service)
- C. Iron – Follower Type with Regular Cure Packing (Standard for General Service)
- D. Iron – Follower Type with Rock Hard Packing (Optional for General Service)
- E. Iron – Solid Type with Cast Iron Rings (Standard for Oil Service)
- F. Steel – Insert Type (Standard for Slush and Grout & Cement Service)
- G. Bronze – Cup Type (Optional)
- H. Iron – Cup Type (Optional)
- J. Steel – Cup Type (Optional)

COLUMN 9 – PISTON ROD MATERIAL & PACKING SELECTIVE

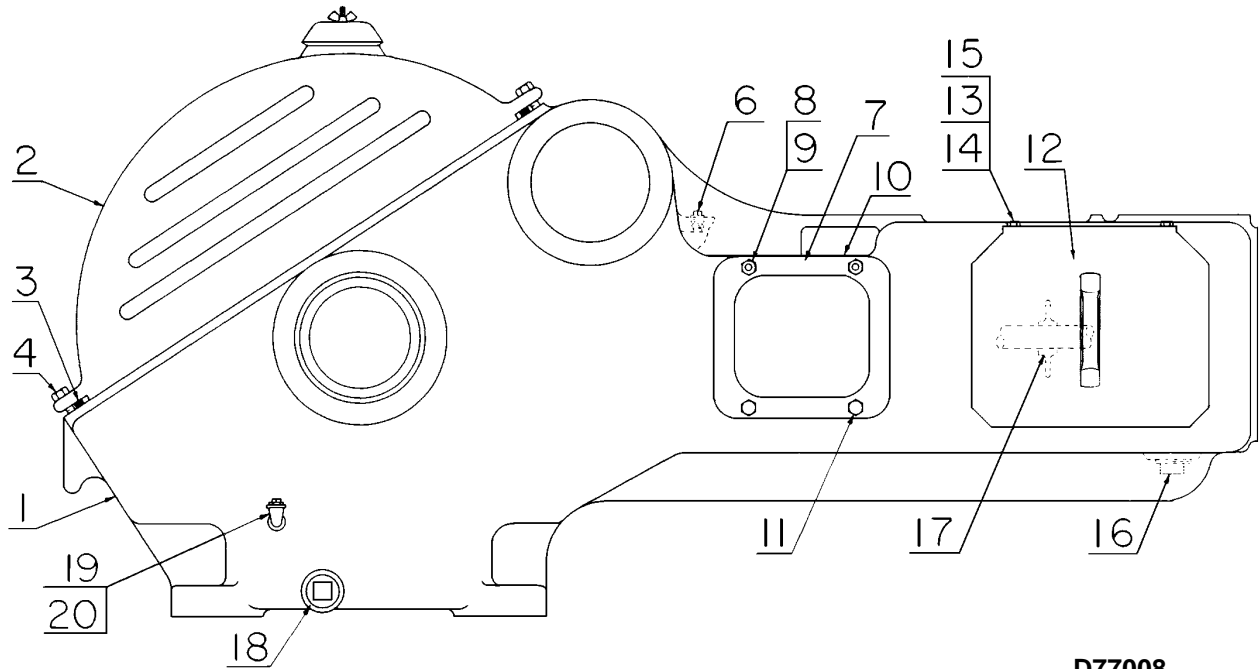
- D. Hardened Steel Rod & Molded Rubber & Duck Packing
- G. Chrome Plated Rod & Molded Rubber & Duck Packing
- K. Stainless Steel Rod & Molded Rubber & Duck Packing
- L. Bronze Rod & Molded Rubber & Duck Packing

COLUMN 10 – FLUID VALVE SELECTIVE

- A. Bronze – Wing Guided Type without Insert (Water Service)
- B. Bronze – Wing Guided Type with Rubber Insert (Water Service)
- C. Iron – Wing Guided Type without Insert (Oil, General or Water Service)
- D. Steel – Wing Guided Type without Insert (Oil or General Service)
- E. Steel – Wing Guided Type with Rubber Insert (Slush or Grout & Cement Service)
- F. Steel (Gravel Type) – Wing Guided with Insert (Slush or Grout & Cement Service)
- G. Steel – Center Guided without Insert (Oil or General Service)
- H. Steel – Center Guided Type with Rubber Insert (Slush or Grout & Cement Service)
- J. Steel – Center Guided Type with Polyurethane Insert (Slush or Grout & Cement Service)
- K. Steel Seat & Delrin Ball (Optional)
- L. Stainless Steel Seat & Delrin Ball (Optional)
- M. Stainless Steel – Durabla (Optional)
- N. Bronze – Ball Guided Spherical (Optional)
- P. Steel – Ball Guided Spherical (Optional)
- Q. Stainless Steel – Ball Guided Spherical (Optional)

COLUMN 11 – OPTIONAL EQUIPMENT SELECTIVE

Order by Part Number and Description. Reference Numbers for your convenience only.

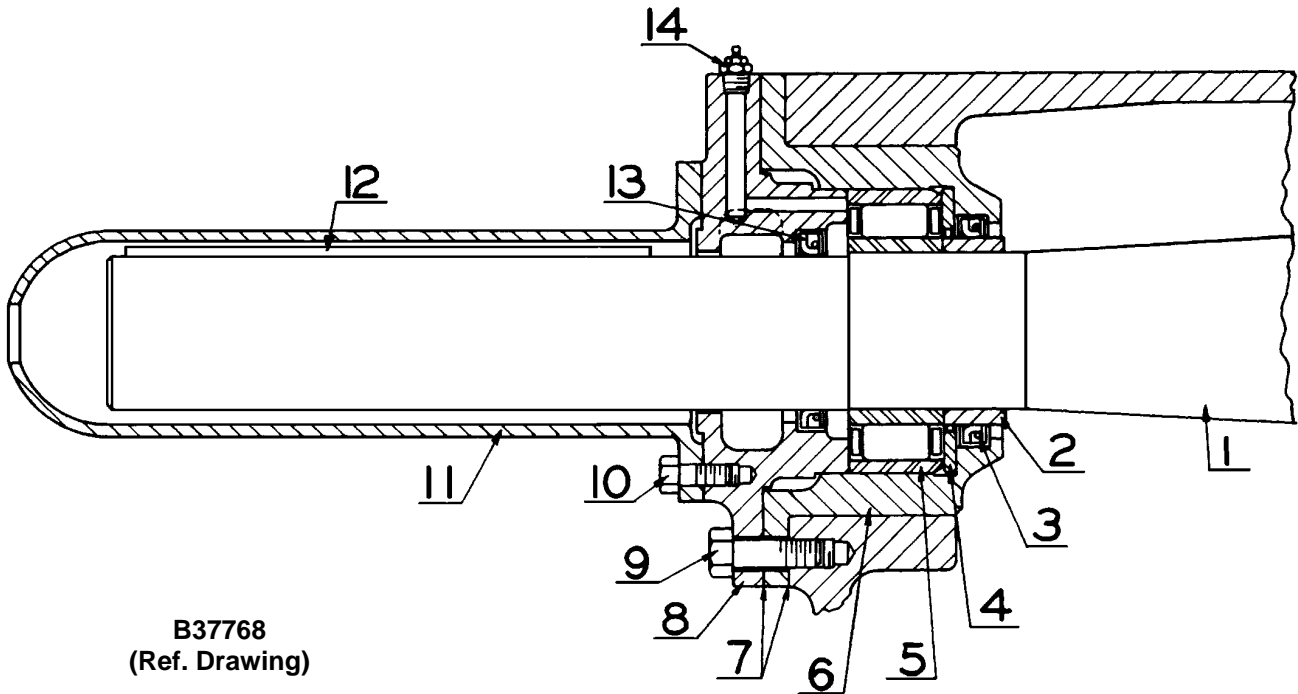


D77008
(Ref. Drawing)

FRAME GROUP

Ref. No.	Name of Part	Qty.	All Models Part No.
1	FRAME ASSEMBLY, Includes Ref. No. 6, 8, 9, 18, 19 & 20	1	FXD172A
2	HOOD	1	200FXD053
3	GASKET, Hood	110"	2009457
4	SCREW, Hood	12	75AA1
6	PLUG, Crosshead Oil	2	64AA5
7	PLATE-INSPECTION, Crosshead	2	FXD723
8	STUD, Croshead Inspection Plate	4	79A6
9	NUT, Crosshead Inspection Plate Stud	4	50B5
10	GASKET, Crosshead Inspection Plate	2	25C1083N
11	SCREW, Crosshead Inspection Plate	4	75AA1
12	PLATE-INSPECTION	2	200FXD052
13	STUD, Inspection Plate to Frame	4	79A438
14	LOCKWASHER, Inspection Plate to Frame	4	95B5
15	NUT, Inspection Plate to Frame	4	50B5
16	PLUG, Frame Sludge Drain	1	64A7
17	BAFFLE, Piston Rod	2	1FXX840
18	PLUG-SQHD PIPE, Frame Oil Drain	2	64A6
19	ELBOW-PIPE, Oil Level	2	64D4
20	PLUG, Oil Level	2	64AA4

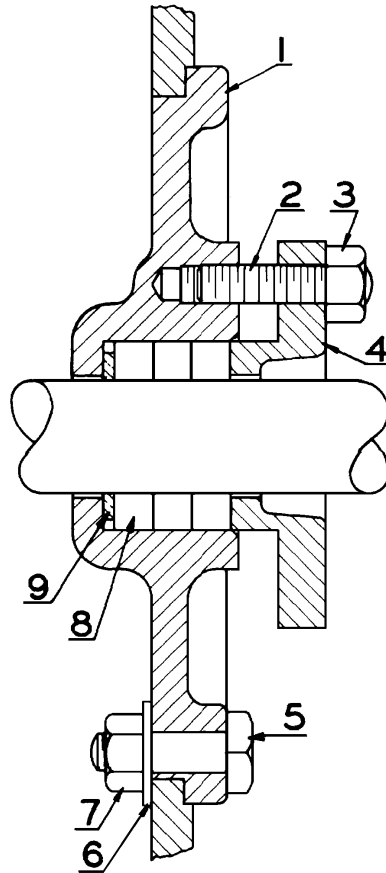
Order by Part Number and Description. Reference Numbers for your convenience only.



JACKSHAFT

Ref. No.	Name of Part	Qty.	All Models Part No.
1	JACKSHAFT	1	200FXE371
2	SLEEVE-SHAFT	2	FXD289
3	SEAL-OIL, Bearing Housing	2	60G63
4	SPACER, Bearing	2	FXD376
5	BEARING, Jackshaft	2	12W6
6	HOUSING-BEARING	2	1FXD368
7	GASKET, Housing & Retaining Plates	4	25C1085
8	PLATE-BEARING RETAINING	2	3FXD370
9	SCREW, Housing & Retaining Plate	12	655EF080
10	SCREW, Shaft Extension Cover	4	655EE030
11	COVER-SHAFT EXTENSION	1	200FXD490
12	KEY, Jackshaft	1	35B167
13	SEAL-OIL, Bearing Retaining Plate	2	60G221
14	FITTING-LUBRICATION	2	40E5

Order by Part Number and Description. Reference Numbers for your convenience only.

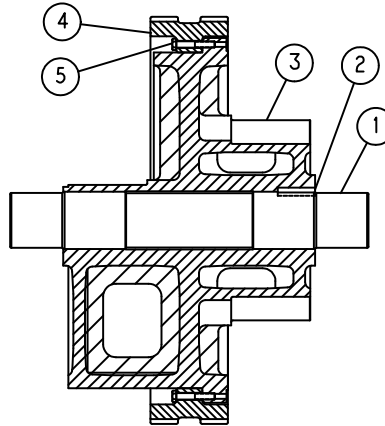


B37706
(Ref. Drawing)

OIL STOP HEAD

Ref. No.	Name of Part	Qty.	All Models Part No.
1	OIL STOP HEAD ASSEMBLY, Includes Ref. No. 2 & 3	2	FXD495
2	STUD, Oil Stop Head	4	79A69
3	NUT, Oil Stop Head	4	50B5
4	GLAND	2	PXD238
5	SCREW	8	655EE070
6	WASHER	8	95A5
7	NUT	8	50B5
8	PACKING, Oil Stop Head	2	60BG26
9	RING-JUNK, Oil Stop Head	2	BC318

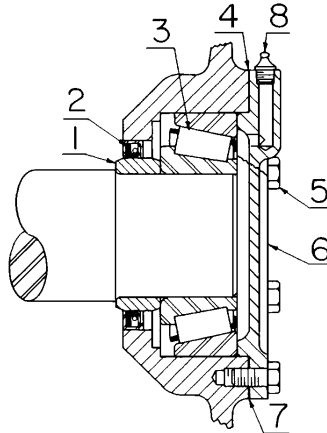
Order by Part Number and Description. Reference Numbers for your convenience only.



300FXE797
(Ref. Drawing)

ECCENTRIC & SHAFT

Ref. No.	Name of Part	Qty.	All Models Part No.
1	SHAFT-ECCENTRIC	1	FXD367
2	KEY, Eccentric Shaft	1	35C68
3	ECCENTRIC	1	200FXE255
4	GEAR-DRIVEN	1	200FXE280
5	SCREW	12	655EE12D
+	WIRE	288"	97A29

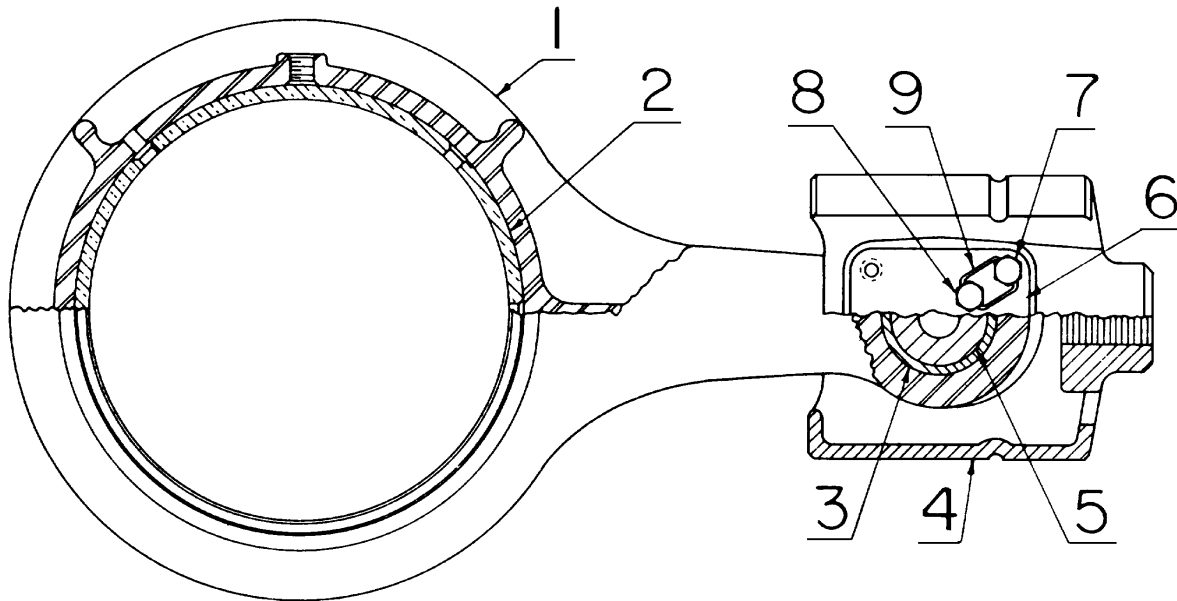


B75780
(Ref. Drawing)

ECCENTRIC SHAFT BEARING

Ref. No.	Name of Part	Qty.	All Models Part No.
1	SLEEVE-SHAFT	2	23AUX18
2	SEAL-OIL	2	60G17
3	BEARING, Eccentric Shaft	2	12C34
4	SHIM, Bearing Cover Plate (Used opposite 25C1084 Gasket)	2	77B22
5	SCREW, Bearing Cover Plate	12	655EF050
6	PLATE-BEARING COVER	2	FXD366
7	GASKET, Bearing Cover Plate (Used opposite 77B22 Shim)	1	25C1084
8	FITTING-LUBRICATION, Bearing Cover Plate	2	40E5

Order by Part Number and Description. Reference Numbers for your convenience only.

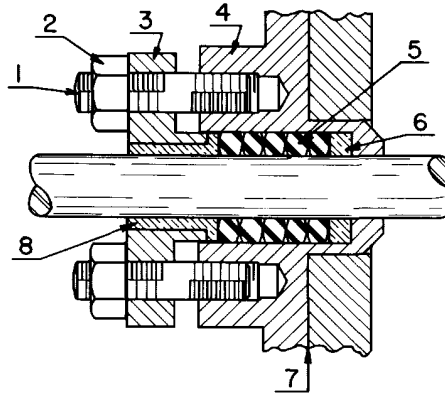


B75781
(Ref. Drawing)

CONNECTING ROD & CROSSHEAD

Ref. No.	Name of Part	Qty.	All Models Part No.
1	CONNECTING ROD ASSEMBLY, Includes Ref. No. 2 & 3	2	FXD417
2	BUSHING, Eccentric End	2	FXD421
3	BUSHING, Crosshead End	2	FXD229
4	CROSSHEAD	2	200FXE005
5	PIN-CROSSHEAD	2	FXD189
6	PLATE-RETAINER	2	FXD281
7	SCREW (1-1/4" lg.), Retainer Plate	4	655EF05D
8	SCREW (1-1/2" lg.), Retainer Plate	4	6555EF06D
9	WIRE	48"	97A29

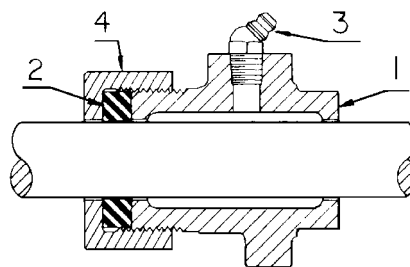
Order by Part Number and Description. Reference Numbers for your convenience only.



A45412
(Ref. Drawing)

STUFFING BOX

Ref. No.	Name of Part	Qty.	Models	
			Part No.	Part No.
			IRON	STEEL
			FXEA_B FXEG_B FXEP_B	FXED_B
			FXEB_B FXEJ_B FXER_B	FXEH_B
			FXEC_B FXEK_B FXES_B	FXEM_B
			FXEE_B FXEL_B FXET_B	FXEQ_B
			FXEF_B FXEN_B	FXEU_T
1	STUD, Stuffing Box	4	79A183	79L11
2	NUT, Stuffing Box Stud	4	50B8	50B9
3	GLAND, Stuffing Box	2	FD21	1FC21
4	STUFFING BOX ASSEMBLY, Incl. Ref. No. 1 & 2	2	2007956	16FC14B
5	PACKING, Molded Rubber & Duck (Standard)*	2	60DA415	60DA415
6	RING-JUNK	2	BC317	BC317
7	GASKET, Stuffing Box	2	25C1737	25AL35
8	BUSHING-GLAND	2	1FD152	1FD152

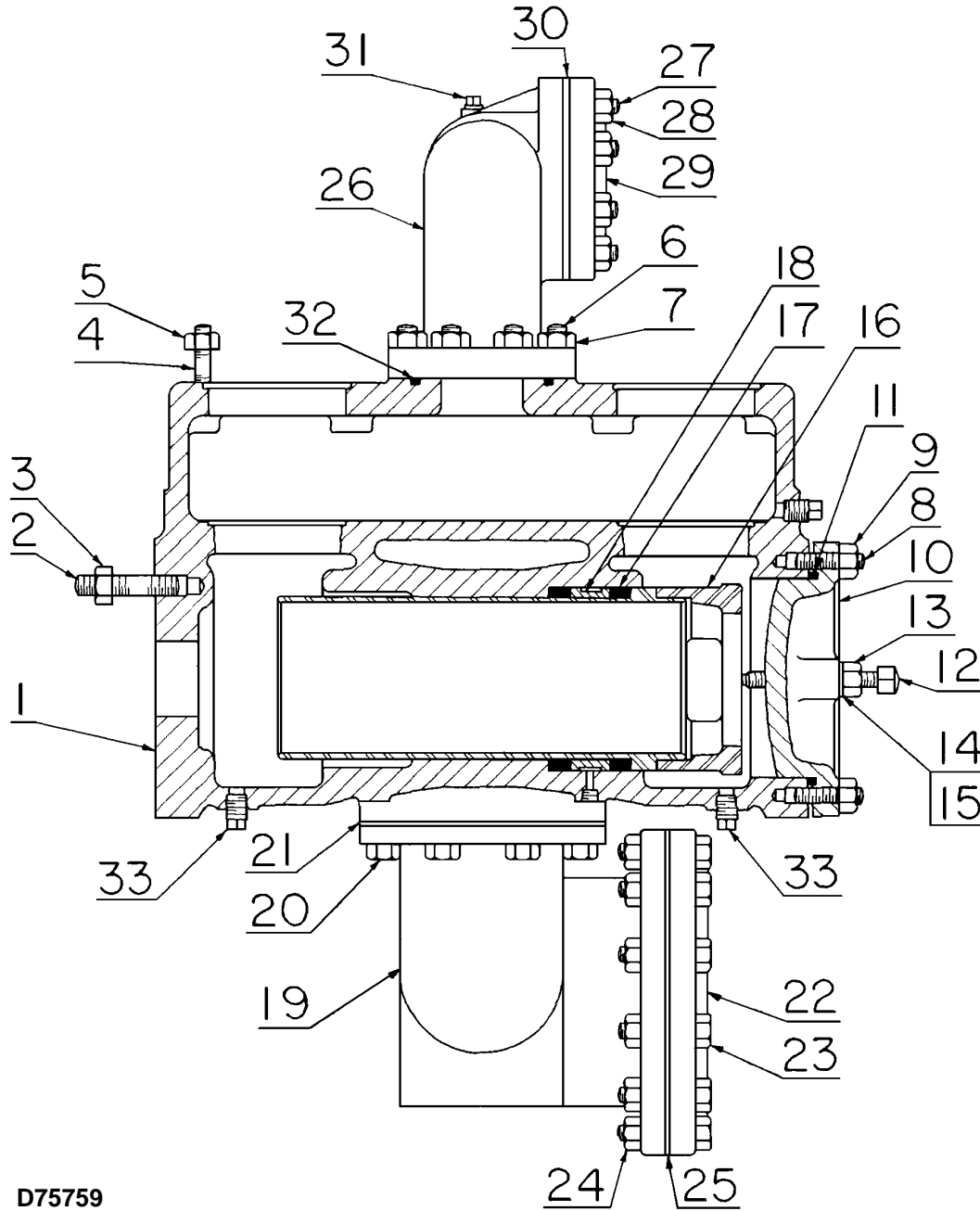


A76327
(Ref. Drawing)

STUFFING BOX GLAND (OPTIONAL)

Ref. No.	Name of Part	Qty.	All Models Part No.
	GLAND ASSEMBLY, Includes following 4 items	2	200FXX008A
1	GLAND	2	200FXX008
2	PACKING-RING	2	60DD75
3	FITTING-LUBRICATION	2	40E10
Ø	NUT	2	200FXX086
	Ø Not shown on illustration.		

FLUID CYLINDER
2 PIECE IRON



D75759
(Ref. Drawing)

FOR LIST OF PARTS SEE PAGE 11.

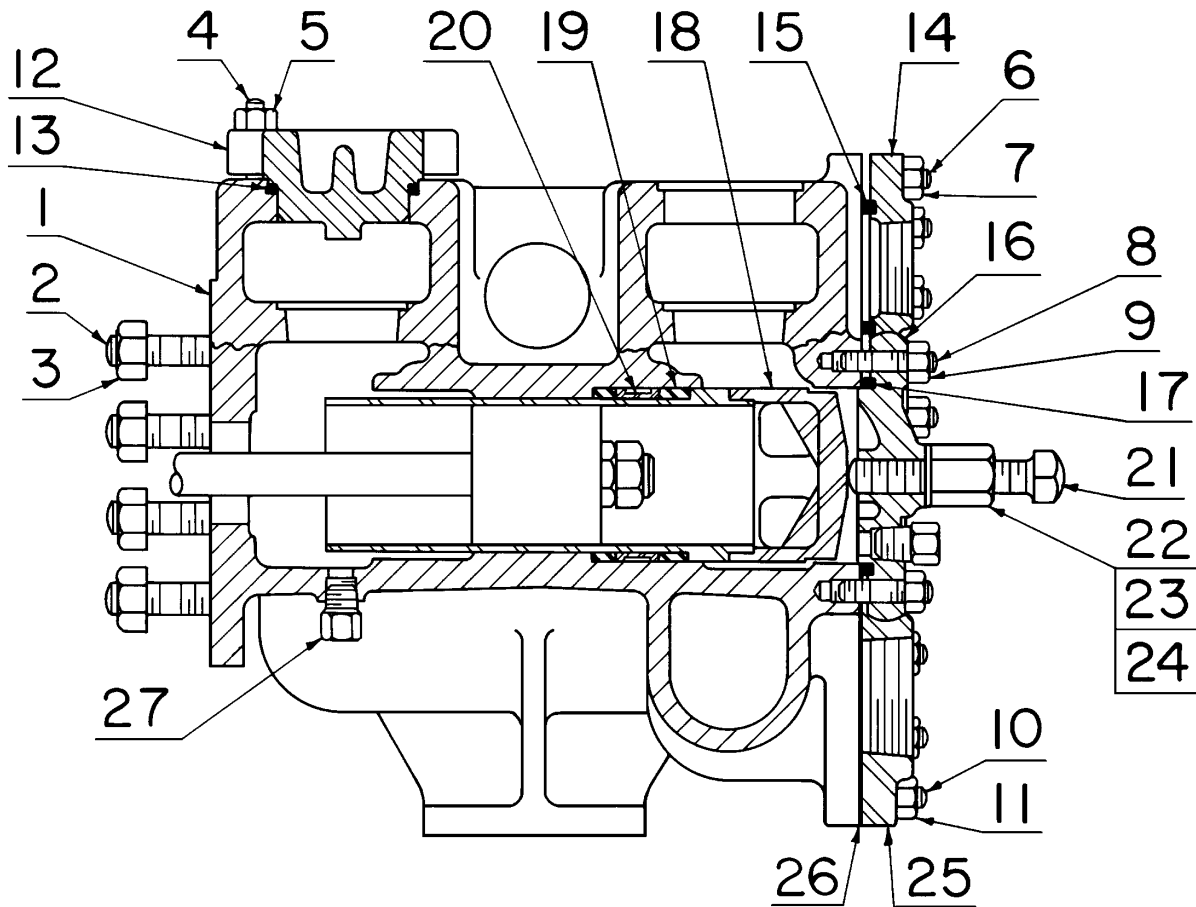
Order by Part Number and Description. Reference Numbers for your convenience only.

FLUID CYLINDER – 2 PIECE IRON

Ref. No.	Name of Part	Qty.	Models
			Part No.
			FXEA_B
			FXEE_B
			FXEJ_B
			FXEN_B
			FXER_B
1	FLUID CYLINDER ASSEMBLY (RH)*, Includes Ref. No. 2 thru 9	1	200FYY029B
1	FLUID CYLINDER ASSEMBLY (LH)*, Includes Ref. No. 2 thru 9	1	201FYY029B
2	STUD, Cylinder to Frame	12	79A557
3	NUT, Cylinder to Frame Stud	12	50B10
4	STUD, Valve Cover	32	79A92
5	NUT, Valve Cover Stud	32	50B9
6	STUD, Discharge Manifold	16	79L4
7	NUT, Discharge Manifold Stud	16	50B8
8	STUD, Cylinder Head	18	79A183
9	NUT, Cylinder Head Stud	18	50B8
10	HEAD-CYLINDER	2	FY41
11	GASKET, Cylinder Head	2	25G8
12	SET SCREW, Liner Clamp	6	1FY207
13	NUT, Liner Clamp Set Screw	6	50B9
14	PACKING, Liner Clamp Set Screw	6	60BQ3
15	WASHER, Liner Clamp Set Screw	6	95F9
16	CLAMP-LINER	2	FO217
17	SLEEVE, Liner	4	3EN519
18	SPACER, Liner Sleeve	2	EN957
19	MANIFOLD-SUCTION	1	200FYY069
20	SCREW, Suction Manifold to Cylinder	16	75A74
21	GASKET, Suction Manifold to Cylinder	2	25BC105N
22	FLANGE, Suction Manifold	1	64EB131
23	SCREW, Suction Manifold Flange	12	75A150
24	NUT, Suction Manifold Flange Screw	12	50B9
25	GASKET, Suction Manifold Flange	1	25C1154N
26	DISCHARGE MANIFOLD, Includes Ref. No. 27 & 31	1	2FO280
27	STUD, Discharge Manifold Flange	8	79L4
28	NUT, Discharge Manifold Flange Stud	8	50B8
29	FLANGE, Discharge Manifold	1	64DA12
30	GASKET, Discharge Manifold Flange	1	25T34
31	PLUG-SQHD PIPE, Discharge Manifold	1	64AA5
32	GASKET, Discharge Manifold to Cylinder	1	25T34
33	PLUG, Cylinder Priming & Drain	6	64AU5

* For definition of Right Hand and Left Hand side of pump, see ordering instructions on Page 1.

FLUID CYLINDER
1 PIECE IRON



C75848
(Ref. Drawing)

FOR LIST OF PARTS SEE PAGE 13.

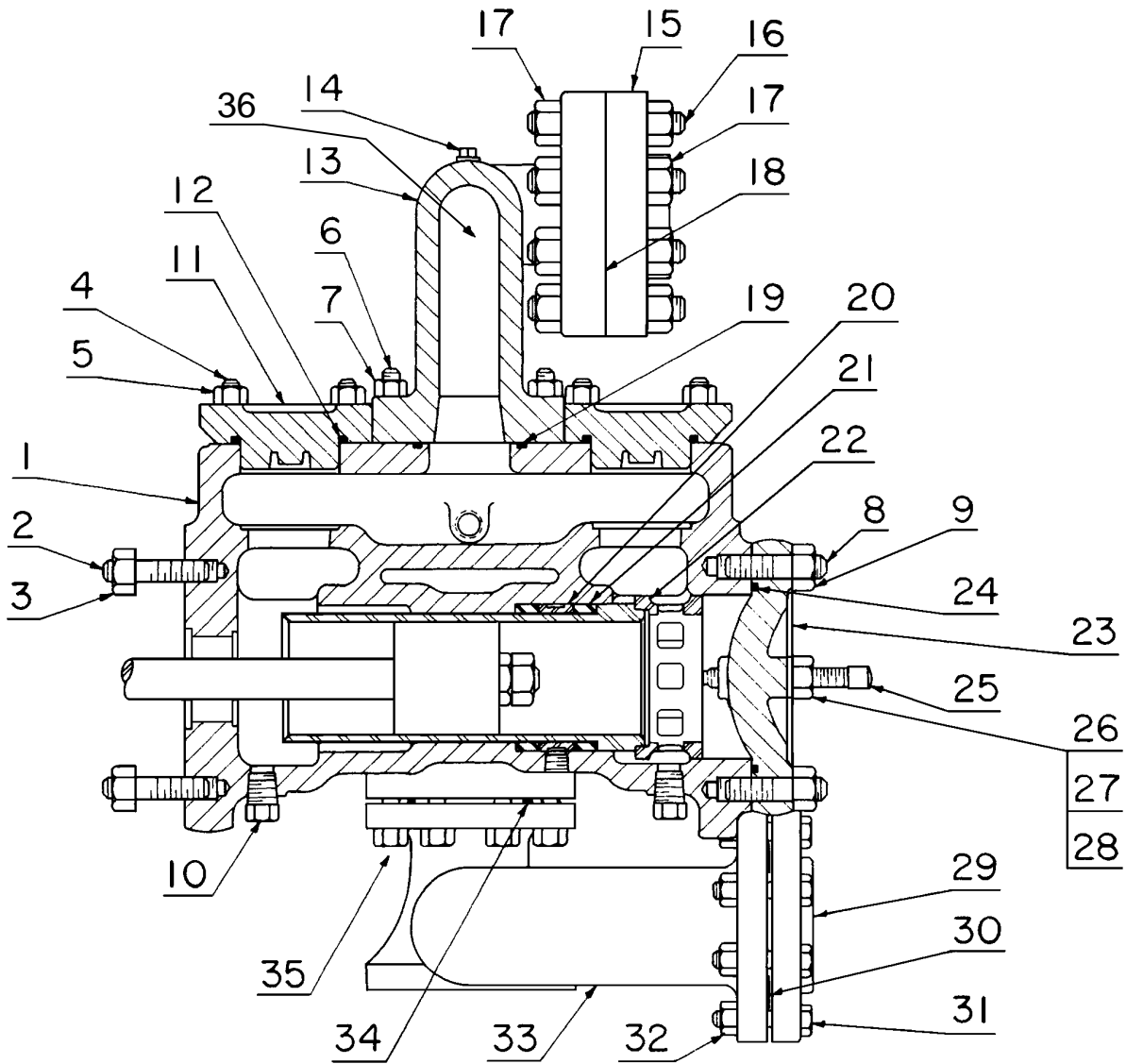
Order by Part Number and Description. Reference Numbers for your convenience only.

FLUID CYLINDER – 1 PIECE IRON

Ref. No.	Name of Part	Qty.	Models	
			Part No.	Part No.
			FXEC_B	Models
			FXEG_B	FXEB_B
			FXEL_B	FXEF_B
			FXEP_B	FXEK_B
			FXET_B	FXES_B
1	FLUID CYLINDER ASSEMBLY, Includes Ref. No. 2 thru 11 . . .	1	1FD388	6FD29
2	STUD, Cylinder to Frame	12	79L92	79L92
3	NUT, Cylinder to Frame Stud	12	50B10	50B10
4	STUD, Valve Cover	16	79A559	79A559
5	NUT, Valve Cover Stud	16	50B13	50B13
6	STUD, Discharge Manifold	8	79A183	79A183
7	NUT, Discharge Manifold Stud	8	50B8	50B8
8	STUD, Cylinder Head	24	79A183	79A183
9	NUT, Cylinder Head Stud	24	50B8	50B8
10	STUD, Suction Flange	8	79A183	79A183
11	NUT, Suction Flange Stud	8	50B8	50B8
12	COVER-VALVE		(See Valve Pages)	
13	GASKET, Valve Cover		(See Valve Pages)	
14	FLANGE, Discharge	1	64DA5	64DA5
15	GASKET, Discharge Flange	1	25G4	25G4
16	HEAD-CYLINDER	2	5FD41	5FD41
17	GASKET, Cylinder Head	2	25G12	25G12
18	CLAMP-LINER	2	FD217	FD217
19	SLEEVE-LINER	4	4EF519	4EF519
20	SPACER-LINER	2	FC957	FC857
21	SET SCREW, Liner	2	76W3	76W3
22	NUT, Liner Set Screw	2	50B12	50B12
23	WASHER, Liner Set Screw	2	95F12	95F12
24	PACKING, Liner Set Screw	2	60BQ6	60BQ6
25	FLANGE, Suction	1	FD77	FD77
26	GASKET, Suction Flange	1	25C320N	25C320N
27	PLUG, Cylinder Cleanout	5	64AU5	64AU5
Ø	FOOT, Fluid Cylinder	1	FXD20	FXD20
Ø	SCREW, Foot to Cylinder	4	75A14	75A14
Ø	WASHER, Foot to Cylinder Screw	4	95B9	95B9
Ø	NUT, Foot to Cylinder Screw	4	50B9	50B9

Ø Not shown on illustration.

**FLUID CYLINDER
2 PIECE STEEL & STAINLESS STEEL**



**C75823
(Ref. Drawing)**

FOR LIST OF PARTS SEE PAGE 15.

Order by Part Number and Description. Reference Numbers for your convenience only.

FLUID CYLINDER – 2 PIECE STEEL & STAINLESS STEEL

Ref. No.	Name of Part	Qty.	Models	
			Part No.	Model FXEH_B Part No.
1	FLUID CYLINDER ASSEMBLY (LH)*, Includes Ref. No. 2 thru 10	1	21FC29LF	23FC29LF
1	FLUID CYLINDER ASSEMBLY (RH)*, Includes Ref. No. 2 thru 10	1	21FC29RF	23FC29RF
2	STUD, Cylinder to Frame	12	79L114	79L114
3	NUT, Cylinder to Frame Stud	12	50B10	50B10
4	STUD, Valve Cover	64	79L4	79L4
5	NUT, Valve Cover Stud	64	50B8	50B8
6	STUD, Discharge Manifold	16	79L65	79L65
7	NUT, Discharge Manifold Stud	16	50B8	50B8
8	STUD, Cylinder Head	24	79L80	79L80
9	NUT, Cylinder Head Stud	24	50B10	50B10
10	PLUG, Priming & Drain	6	64AU5	64AU5
11	VALVE-COVER		(See Valve Pages)	
12	GASKET, Valve Cover		(See Valve Pages)	
13	DISCHARGE MANIFOLD ASSEMBLY, Includes Ref. No. 14 thru 18 & 36	1	200FCC071A	200FCC071A
14	PLUG, Discharge Manifold	1	64AA5	64AA5
15	FLANGE, Discharge	1	202FCC073	202FCC073
16	STUD, Discharge Flange	8	79L9	79L9
17	NUT, Discharge Flange	8	50B36	50B36
18	GASKET, Discharge Flange	1	25T15	25T15
19	GASKET, Manifold to Cylinder	2	25T20	25T20
20	SPACE-LINER	2	FC957	FC957
21	SLEEVE-LINER	4	4EF519	4EF519
22	CLAMP-LINER	2	FC217	FC217
23	HEAD-CYLINDER	2	3FC41	3FC41
24	GASKET, Cylinder Head	2	25T40	25T40
25	SET SCREW, Liner	6	1FY207	1FY207
26	NUT, Liner Set Screw	6	50B9	50B9
27	WASHER, Liner Set Screw	6	95F9	95F9
28	PACKING, Liner Set Screw	6	60BQ3	60BQ3
	SUCTION MANIFOLD ASSEMBLY, Includes Ref. No. 29 thru 34	1	3EF499	3EF499
29	FLANGE, Suction	1	64DE8	64DE8
30	GASKET, Suction Flange	1	25C320	25C320
31	SCREW, Suction Flange	8	75A214	75A214
32	NUT, Suction Flange Screw	8	50B8	50B8
33	MANIFOLD-SUCTION	1	3EF110	3EF110
34	GASKET, Suction Manifold to Cylinder	2	25G18	25G18
35	SCREW, Suction Manifold	16	75A74	75A74
36	PLUG, 2" (Not shown)	2	64AA9	64AA9

* For definition of Right Hand and Left Hand side of pump, see ordering instructions on Page 1.

Order by Part Number and Description. Reference Numbers for your convenience only.

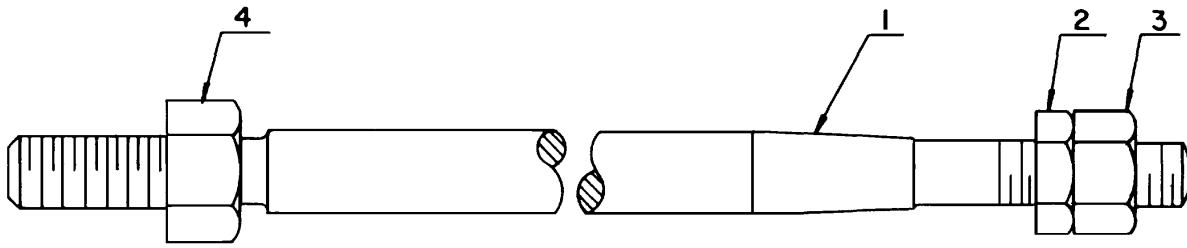
**CYLINDER LINERS
TWO (2) REQUIRED PER PUMP**

Size	Models	
	FXEA_B FXEE_B FXEJ_B Part No.	Models FXEN_B FXER_B Part No.
	Hardened Steel	Bronze
7-1/2"	FY45675	FY6275BB
7-1/4"	FZ45672	FZ6272BB
7"	FZ45670	FZ6270BB
6-3/4"	FZ45667	FZ6267BB
6-1/2"	FZ45665	FZ6265BB
6"	FZ45660	FZ6260BB
5-1/2"	FZ45655	FZ6255BB
5"	FZ45650	FZ6250BB

Size	Models	
	FXED_B FXEH_B FXEM_B Part No.	Models FXEQ_B FXEU_B Part No.
	Hardened Steel	Bronze
5"	1EF45650	33EF64
4-1/2"	1EF45645	34EF64
4"	1EF45640	35EF64
3-1/2"	1EF45635	36EF64
3"	1EF45630	37EF64
2-1/2"	1EF45625	38EF64

Size	Models			Models
	FXEC_B, FXEG_B, FXEL_B FXEP_B, FXET_B Part No.	Part No.	Part No.	FXEB_B, FXEF_B FXEK_B, FXES_B Part No.
	Stainless Steel	Hardened Steel	Bronze	Hardened Steel
5-1/2"	None	None	None	FD45655
5"	16FD64	FD45650	FD64	1FD45650
4-1/2"	20FD64	FD45645	3FD64	2FD45645
4"	22FD64	FD45640	6FD64	1FD45640
3-1/2"	24FD64	FD45635	9FD64	200FDD456
3"	26FD64	FD45630	12FD64	None
2-1/2"	28FD64	FD45625	15FD64	None

Order by Part Number and Description. Reference Numbers for your convenience only.



B74017
(Ref. Drawing)

PISTON RODS & NUTS
(API No. 3 TAPER)

Models

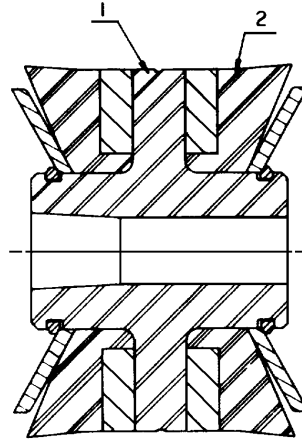
FXEB_B	FXEL_B
FXEC_B	FXEM_B
FXED_B	FXEP_B
FXEF_B	FXEQ_B
FXEG_B	FXES_B
FXEH_B	FXET_B
FXEK_B	FXEU_B

Models

FXEA_B
FXEE_B
FXEJ_B
FXEN_B
FXER_B

Ref. No.	Name of Part	Qty.	Part No.	Part No.
1	HARDENED STEEL PISTON ROD Includes Ref. No. 2 & 3	2	FY183	5FD183
2	NUT (Thin)	2	NONE	NONE
3	NUT (Full)	2	50V7	50V7
4	NUT, Crosshead	2	50T137	50T137
1	BRONZE PISTON ROD Includes Ref. No. 2 & 3	2	2FY183	7FD183
2	NUT (Thin)	2	50T235	50T235
3	NUT (Full)	2	50T236	50T236
4	NUT, Crosshead	2	50T137	50T137
1	STAINLESS STEEL PISTON ROD Includes Ref. No. 2 & 3	2	4FY183	9FD183
2	NUT (Thin)	2	50T156	50T156
3	NUT (Full)	2	50T157	50T157
4	NUT, Crosshead	2	50T137	50T137
1	CHROME PLATED PISTON ROD Includes Ref. No. 2 & 3	2	5FY183	10FD183
2	NUT (Thin)	2	NONE	NONE
3	NUT (Full)	2	50V7	50V7
4	NUT, Crosshead	2	50T137	50T137

Order by Part Number and Description. Reference Numbers for your convenience only.

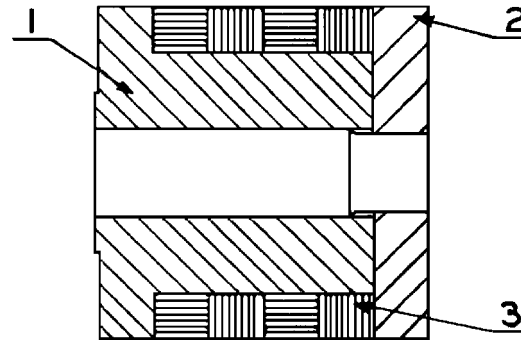


C76948
(Ref. Drawing)

**STEEL INSERT – TYPE PISTON
(STANDARD FOR SLUSH, GROUT & CEMENT SERVICE)**

Ref. No.	Name of Part	Qty.	7-1/2"	7-1/4"	MODELS FXEA_B & FXEE_B			6-1/2"	6"
					7"	6-3/4"			
1	PISTON ASSEMBLY, Includes Ref. No. 2	2	212TBB045A	211TBB045A	210TBB045A	209TBB045A	208TBB045A	206TBB045A	
2	INSERT GROUP, Includes Retainer Plates & Rings	2	TBB76021	TBB76020	TBB76019	TBB76018	TBB76017	TBB76015	
			Models FXEA_B FXEB_B FXEE_B FXEF_B	Models FXEA_B thru FXEH_B		Models FXEB_B thru FXEH_B		Models FXEC_B FXED_B FXEG_B FXEH_B	
Ref. No.	Name of Part	Qty.	5-1/2"	5"	4-1/2"	4"	3-1/2"	3"	
1	PISTON ASSEMBLY, Includes Ref. No. 2	2	204TBB045A	202TBB045A	200TBB045A	221TBK045A	220TBK045A	221TBA045A	
2	INSERT GROUP, Includes Retainer Plates & Rings	2	TBB76013	TBB76011	TBB76009	TBK90403	TBK90402	TBA75994	

Order by Part Number and Description. Reference Numbers for your convenience only.



A44562
(Ref. Drawing)

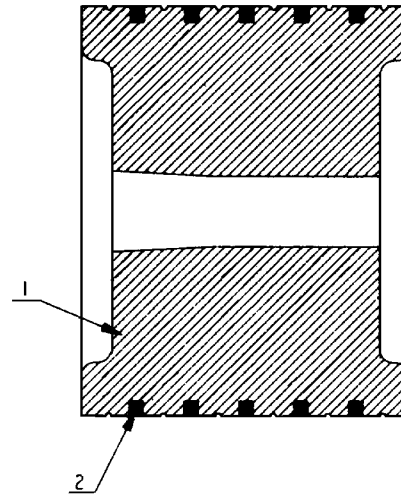
**FOLLOWER TYPE FLUID PISTONS
FOR WATER & GENERAL SERVICE
(GARDNER DENVER No. 3 TAPER)**

3-528 Page 19

Ref. No.	Name of Part	Qty.	MODELS FXEA_B & FXEE_B					
			7-1/2"	7-1/4"	7"	6-3/4"	6-1/2"	6"
1	BODY-PISTON (Iron)	2	FY45	17F045	19F045	21F045	23F045	27F045
2	FOLLOWER-PISTON (Iron)	2	FY46	F046	18F046	3F046	2F046	4F046
1	BODY-PISTON (Bronze)	2	1FY45	18F045	20F045	22F045	24F045	28F045
2	FOLLOWER-PISTON (Bronze)	2	1FY46	1F046	19F046	8F046	9F046	10F046
3	PACKING, Regular Cure	See ()	60D47 (12)	2009041 (12)	60D52 (12)	2009042 (16)	60D9 (12)	60D8 (12)
3	PACKING, Rock Hard	See ()	60Y47 (12)	60Y2 (12)	60Y52 (12)	60Y3 (16)	60Y9 (12)	60Y8 (12)

Ref. No.	Name of Part	Qty.	Models	Models	Models		Models		
			FXEN_B FXER_B FXES_B	FXEN_B thru FXEU_B	FXEP_B, FXEQ_B, FXES_B, FXET_B and FXEU_B	FXEP_B, FXEQ_B FXET_B, FXEU_B	3"	2-1/2"	
			5-1/2"	5"	4-1/2"	4"	3-1/2"	3"	2-1/2"
1	BODY-PISTON (Iron)	2	31F045	35F045	37F045	FD45	1FD45	2FD45	3FD45
2	FOLLOWER-PISTON (Iron)	2	6F046	7F046	16F046	FD46	1FD46	2FD46	3FD46
1	BODY-PISTON (Bronze)	2	32F045	36F045	38F045	4FD45	5FD45	6FD45	7FD45
2	FOLLOWER-PISTON (Bronze)	2	12F046	13F046	22F046	4FD46	5FD46	6FD46	7FD46
3	PACKING, Regular Cure	See ()	60D7 (12)	60D6 (12)	60D22(12)	60D17 (14)	60D25 (14)	60D11 (12)	60D13 (10)
3	PACKING, Rock Hard	See ()	60Y7 (12)	60Y6 (12)	60Y22(12)	60Y17 (14)	60Y25 (14)	60Y11 (12)	60Y13 (10)

Order by Part Number and Description. Reference Numbers for your convenience only.



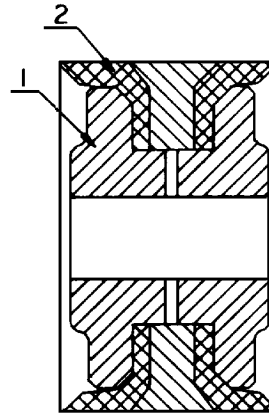
B76949
(Ref. Drawing)

**IRON SOLID-TYPE PISTON WITH CAST IRON RINGS
STANDARD FOR OIL SERVICE
(API NO. 3 TAPER)**

Ref. No.	Name of Part	Qty.	MODEL FXEJ_B					
			7-1/2"	7-1/4"	7"	6-3/4"	6-1/2"	6"
1	PISTON	2	FY350	1FY350	2FY350	3FY350	4FY350	6FY350
2	RING-PISTON	See ()	65A43 (10)	65A92 (10)	65A39 (10)	65A101 (10)	65A17 (10)	65A8 (10)

Ref. No.	Name of Part	Qty.	Models	Models	Models			Models	
			FXEJ_B thru FXEK_B 5-1/2"	FXEJ_B thru FXEM_B 5"	FXEK_B, FXEL_B & FXEM_B 4-1/2"	4"	3-1/2"	FXEL_B & FXEM_B 3"	2-1/2"
1	PISTON	2	8FY350	9FY350	FX0350	FD350	1FD350	2FD350	3FD350
2	RING-PISTON	See ()	65A6 (10)	65A3 (10)	65A47 (8)	65A33 (8)	65A9 (8)	65A14 (8)	65A44 (8)

Order by Part Number and Description. Reference Numbers for your convenience only.



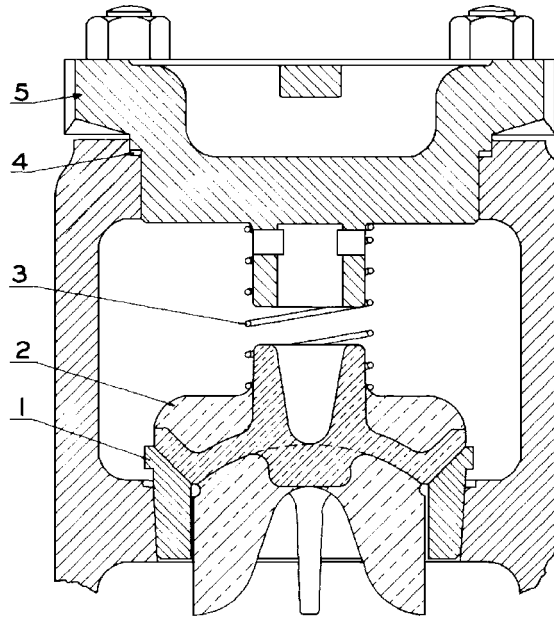
A76951
(Ref. Drawing)

**CUP-TYPE PISTONS
IRON & STEEL FOR OIL & GENERAL SERVICE
BRONZE FOR WATER SERVICE
(API No. 3 TAPER – OPTIONAL)**

Ref. No.	Name of Part	Qty.	Models FXEJ_D, FXER_B & FXEN_B					
			7-1/2"	7-1/4"	7"	6-3/4"	6-1/2"	6"
1	PISTON (IRON), Includes Ref. No. 2 . .	2	P3APIL750	P3APIL725	P3APIL700	P3APIL675	P3APIL650	P3APIL600
1	PISTON (STEEL), Includes Ref. No. 2 . .	2	P3APIL750S	P3APIL725S	P3APIL700S	P3APIL675S	P3APIL650S	P3APIL600S
1	PISTON (BRONZE), Includes Ref. No. 2 . .	2	P3APIL750B	P3APIL725B	P3APIL700B	P3APIL675B	P3APIL650B	P3APIL600B
2	CUP	4	60BB25	60BB24	60BB23	60BB22	60BB21	60BB19

Ref. No.	Name of Part	Qty.	Models FXEJ_B, FXEK_B, FXEN_B, FXER_B, FXES_B & FXEU_B					Models FXEL_B, FXEM_B, FXEQ_B, FXET_B & FXEU_B	
			5-1/2"	5"	4-1/2"	4"	3-1/2"	3"	
1	PISTON (IRON), Includes Ref. No. 2 . .	2	P3APIL550	P3APIL500	P3APIL450	P3APIL400	P3APIL350	P3APIL300	
1	PISTON (STEEL), Includes Ref. No. 2 . .	2	P3AP550S	P3APIL500S	P3APIL450S	P3APIL400S	P3APIL350S	P3APIL300S	
1	PISTON (BRONZE), Includes Ref. No. 2 . .	2	P3APIL550B	P3APIL500B	P3APIL450B	P3APIL400B	P3APIL350B	P3APIL300B	
2	CUP	4	60BB17	60BB15	60BB13	60BB11	60BB9	60BB7	

Order by Part Number and Description. Reference Numbers for your convenience only.



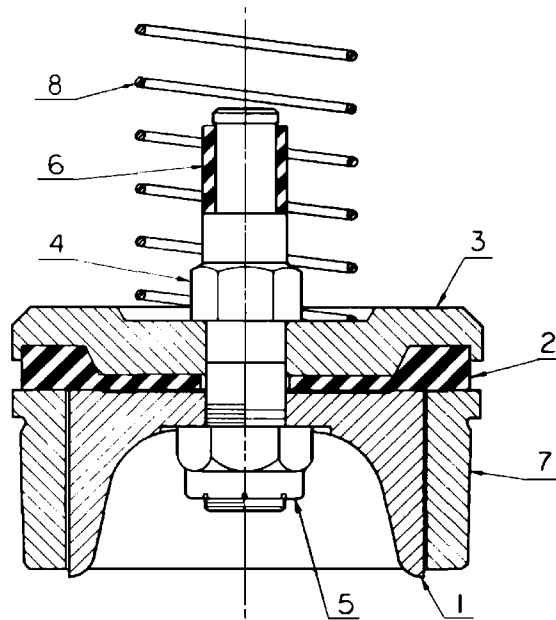
C38027
(Ref. Drawing)

**WING GUIDED VALVE
BRONZE WITHOUT INSERT
WATER SERVICE**

Ref. No.	Name of Part	Qty.	Model FXEN_B Part No.
1	SEAT-VALVE	8	7EN39
2	VALVE-FLUID	8	2EN206
3	SPRING (Brass)	8	78D83
4	GASKET, Valve Cover	8	25G32
5	COVER-VALVE	8	1FY147

For the above valve, use one (1) 201FYY219A Valve Seat Puller Assembly as shown on page 35.

Order by Part Number and Description. Reference Numbers for your convenience only.



B76392
(Ref. Drawing)

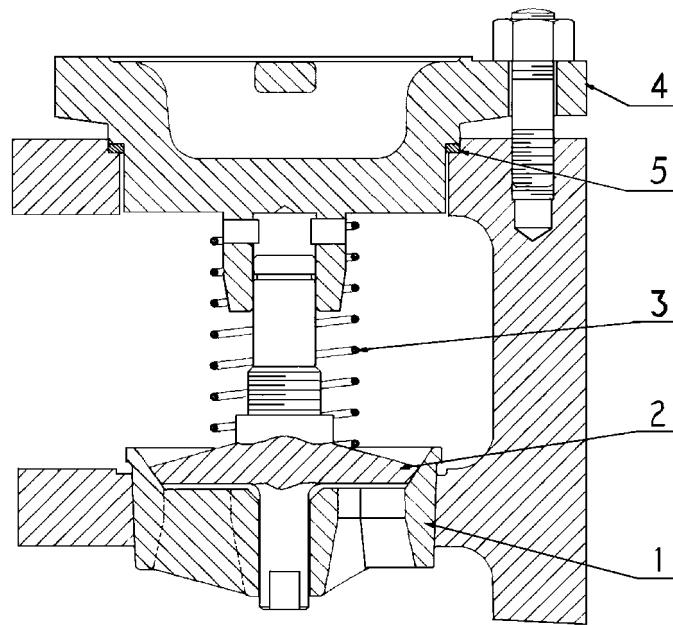
**WING GUIDED GRAVEL VALVE
HARDENED STEEL WITH RUBBER INSERT
(SLUSH, GROUT & CEMENT SERVICE)**

Ref. No.	Name of Part	Qty.	Models FXEA_B FXEE_B Part No.
	VALVE ASSEMBLY less seat, Includes Ref. No. 1 thru 6	8	200FYY482A
1	VALVE-FLUID	8	200FYY482
2	INSERT, Rubber	8	200FYY106
3	WASHER-VALVE	8	200FYY279
4	BOLT-VALVE	8	200FYY012
5	LOCKNUT	8	50V6
6	BUSHING	8	2013547
7	SEAT-VALVE	8	200FYY039
8	SPRING	8	78A169
Ø	GASKET, Valve Cover	8	25G32
Ø	COVER-VALVE	8	1FY147

For the above valve, use one (1) 202FYY219A Valve Seat Puller Assembly as shown on page 35.

Ø Not shown on illustration.

Order by Part Number and Description. Reference Numbers for your convenience only.



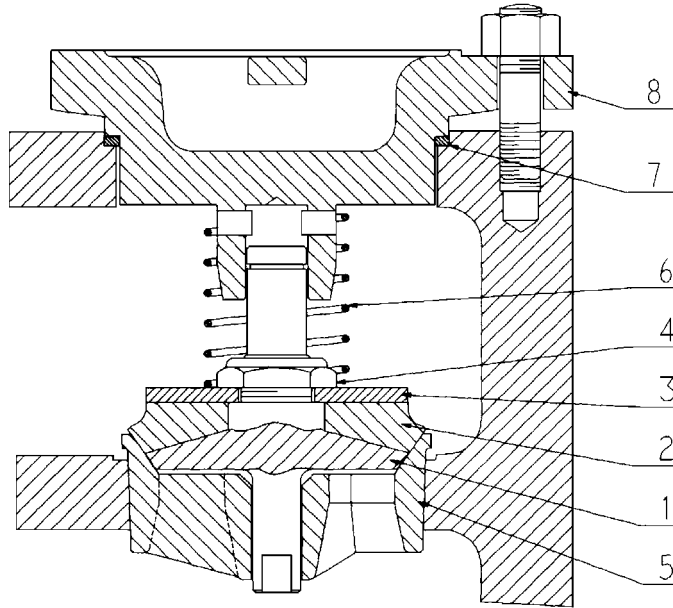
C77002
(Ref. Drawing)

**CENTER GUIDED VALVE
STEEL-FITTED WITHOUT INSERT
OIL & GENERAL SERVICE (STANDARD)**

Ref. No.	Name of Part	Qty.	Models FXEJ_B FXER_B Part No.
1	SEAT-VALVE	8	201FYY039
2	VALVE-FLUID	8	204PZL482
3	SPRING	8	78A169
4	COVER-VALVE	8	FY147
5	GASKET	8	25U32

For the above valve, use one (1) 100E15 Valve Seat Puller Assembly as shown on page 38.

Order by Part Number and Description. Reference Numbers for your convenience only.



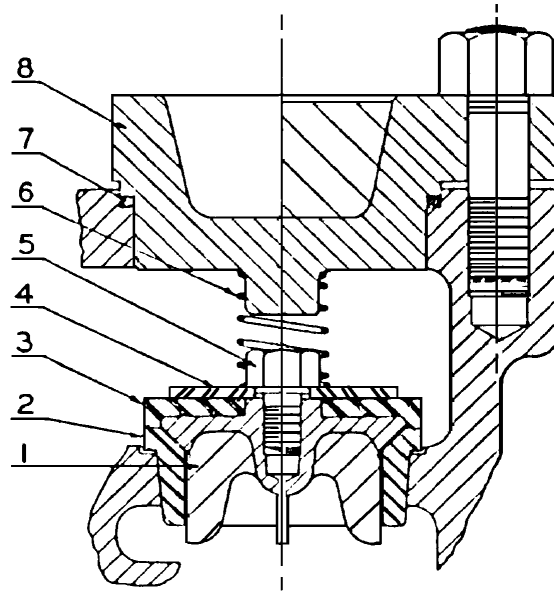
C77001
(Ref. Drawing)

**CENTER GUIDED VALVE
STEEL-FITTED WITH CARBOXYLATED RUBBER INSERT
SLUSH, GROUT & CEMENT SERVICE**

Ref. No.	Name of Part	Qty.	Models FXEA_B FXEE_B Part No.
	VALVE ASSEMBLY, Includes Ref. No. 1 thru 4	8	202PZL482B
1	VALVE-FLUID	8	202PZL482
2	INSERT	8	202PZL106
3	WASHER	8	201PZL279
4	NUT	8	50V27
5	SEAT-VALVE	8	201FYY039
6	SPRING	8	78A139
7	GASKET	8	25G32
8	COVER-VALVE	8	FY147

For above valve, use one (1) 100E15 Valve Seat Puller Assembly as shown on page 38.

Order by Part Number and Description. Reference Numbers for your convenience only.



B37361
(Ref. Drawing)

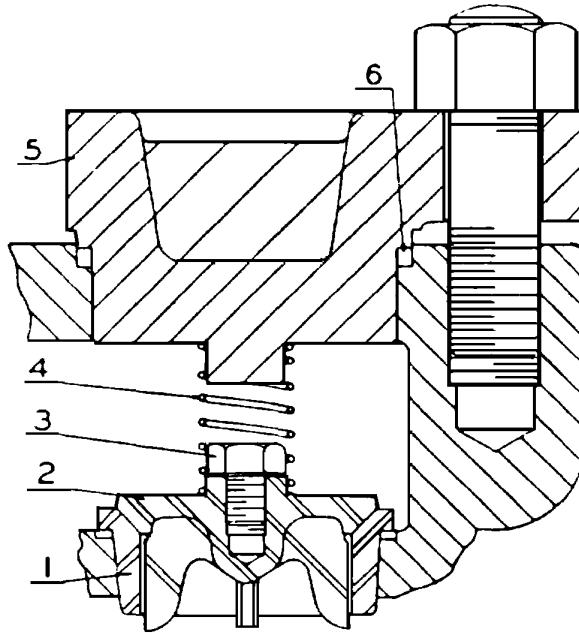
**WING GUIDED VALVE
WITH RUBBER INSERT
WATER, SLUSH, GROUT & CEMENT SERVICE**

Ref. No.	Name of Part	Qty.	Model	Models	Models
			FXEQ_B Part No.	FXEB_B FXEC_B FXEF_B FXEG_B Part No.	FXED_B FXEH_B Part No.
			Bronze	Hardened Steel	
1	SEAT-VALVE	8	6PA39	11FG39	4PA39
	FLUID VALVE ASSEMBLY, Includes Ref. No. 2 thru 5	8	9EF206A	1FG928	11EF206A
2	VALVE-FLUID	8	9EF206	17FG206	11EF206
3	INSERT	8	5EF452	1FG452*	5EF452
4	WASHER	8	95G35	95D49	95D53
5	SCREW	8	7FF156	5FF156	5FF156
6	SPRING	8	78D88	78A171	78A298
7	GASKET, Valve Cover	8	25AL36	25G18	25AL36
8	COVER-VALVE	8	9FC147	FD147	9FC147

For Models FXEB, C, F & G use one (1) 1AUX545 Valve Seat Puller Assembly as shown on page 36.
For MODELS FXED, H & Q use one (1) 2015080 Valve Seat Puller Assembly as shown on page 36.

* Also available as 7FG452 Polyurethane Insert.

Order by Part Number and Description. Reference Numbers for your convenience only.



B40390
(Ref. Drawing)

**WING GUIDED VALVE
WITHOUT INSERT
OIL OR WATER SERVICE**

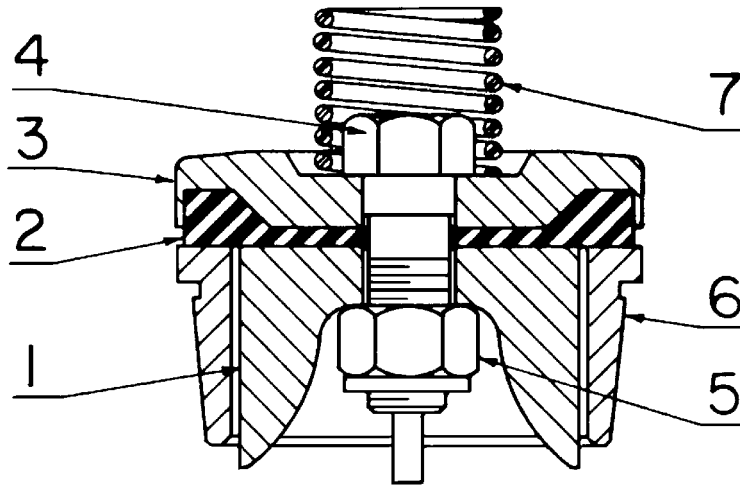
Ref. No.	Name of Part	Qty.	Model	Models	Models
			FXEQ_B Part No.	FXEK_B FXEL_B FXES_B FXET_B Part No.	FXEM_B FXEU_B Part No.
			Bronze	Hardened Steel	
1	SEAT-VALVE	8	6PA39	11FG39	4PA39
2	FLUID VALVE ASSEMBLY, Includes Ref. No. 3 & 4	8	9EF206B	17FG206C	11EF206B
3	SCREW	8	7FF156	5FF156	5FF156
4	SPRING	8	78A299	78A134	78A299
5	COVER-VALVE	8	9FC147	FD147	9FC147
6	GASKET	8	25AL36	25AV18	25AL36
Ø	WASHER	8	95G38	95D136	95D136

For Models FXEK, L, S & T use one (1) 1AUX545 Valve Seat Puller Assembly as shown on page 36.

For Models FXEM, Q & Y use one (1) 2015080 Valve Seat Puller Assembly as shown on page 36.

Ø Not shown on illustration.

Order by Part Number and Description. Reference Numbers for your convenience only.



B75688
(Ref. Drawing)

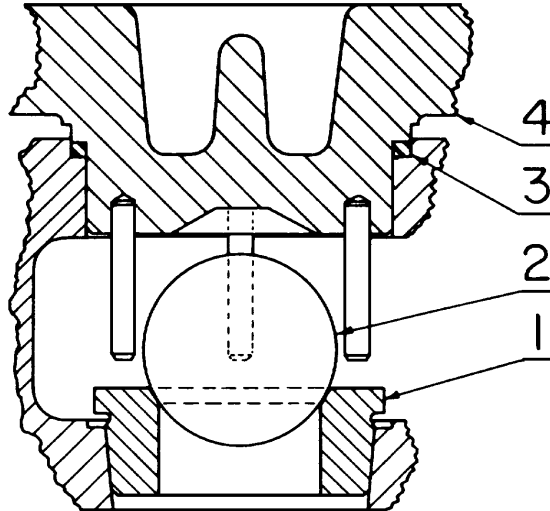
**WING GUIDED GRAVEL VALVE
HARDENED STEEL WITH RUBBER INSERT
SLUSH, GROUT & CEMENT SERVICE**

Ref. No.	Name of Part	Qty.	Models FXEB_B FXEC_B FXEF_B FXEG_B Part No.
	VALVE ASSEMBLY less seat, Includes Ref. No. 1 thru 5	8	200FGG482A
1	VALVE	8	200FGG482
2	INSERT	8	200FGG106
3	WASHER	8	200FGG279
4	BOLT	8	200FGG655
5	NUT	8	50AF8
6	SEAT	8	200FGG039
7	SPRING (Steel)	8	78A171
7	SPRING (Bronze)	8	78D22
Ø	COVER-VALVE	8	FD147
Ø	GASKET, Valve Cover	8	25G18

For above valve use one (1) Valve Seat Puller Assembly as shown on page 36.

Ø Not shown on illustration.

Order by Part Number and Description. Reference Numbers for your convenience only.



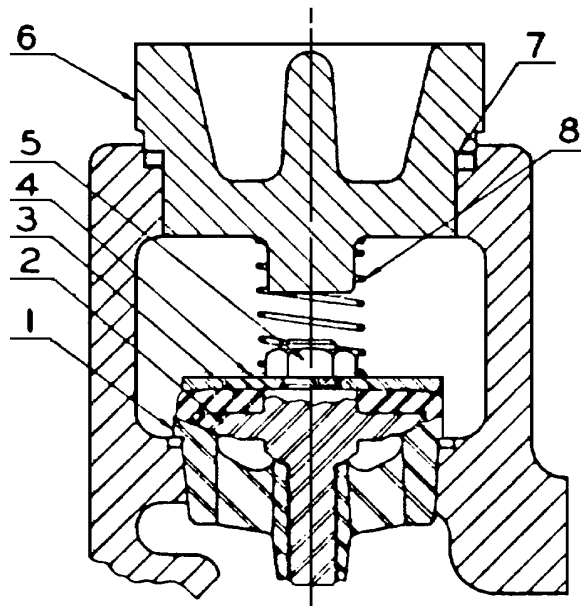
B75760
(Ref. Drawing)

**DELRIN BALL VALVE
GENERAL SERVICE (OPTIONAL)**

Ref. No.	Name of Part	Qty.	Models	Models
			FXES_B FXET_B Part No.	FXES_B FXET_B Part No.
			Steel	Stainless Steel
1	SEAT-VALVE	8	200FDD039	201FDD039
2	VALVE-BALL, Delrin	8	200FDD481	200FDD481
3	GASKET, Valve Cover	8	25G18	25G18
4	COVER-VALVE	8	200FDD147A	200FDD147A

For the above Delrin valve use one (1) FDD67544 Valve Puller Assembly as shown on page 37.

Order by Part Number and Description. Reference Numbers for your convenience only.



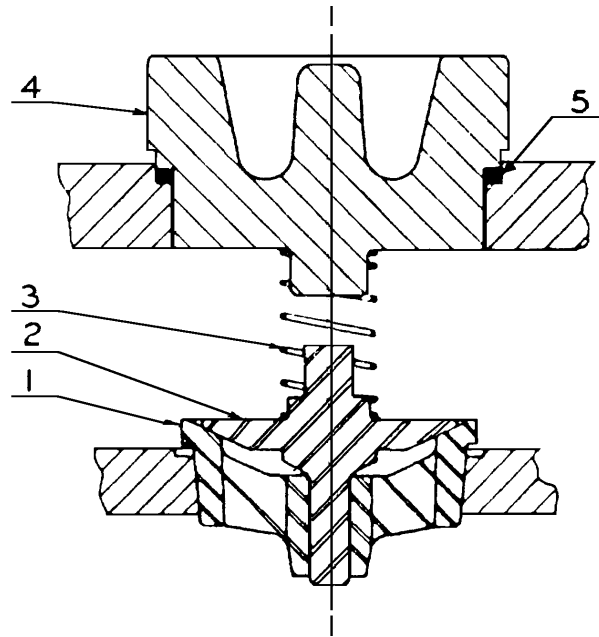
B37359
(Ref. Drawing)

**CENTER GUIDED VALVE
HARDENED STEEL WITH RUBBER INSERT
SLUSH, GROUT & CEMENT SERVICE**

Ref. No.	Name of Part	Qty.	Models		
			FXED_B FXEH_B Part No.	FXEB_B FXEC_B FXEF_B FXEG_B Part No.	FXED_B FXEH_B Part No.
			Bronze	Hardened Steel	
1	SEAT-VALVE	8	PA451	1FG451	PA451
	FLUID VALVE ASSEMBLY, Includes Ref. No. 2 thru 5	8	EF482E*	1FG908	EF482G
2	VALVE-FLUID	8	EF482	3FG482	EF482
3	INSERT	8	6EF452	5FG452	7EF452
4	WASHER	8	3EF279	1FG279	3EF279
5	NUT	8	50V50	50G8	50V50
6	COVER-VALVE	8	9FC147	FD147	9FC147
7	GASKET, Valve Cover	8	25AL36	25G18	25AL36
8	SPRING	8	78A298	78A171	78A298

* With Polyurethane Insert.

Order by Part Number and Description. Reference Numbers for your convenience only.



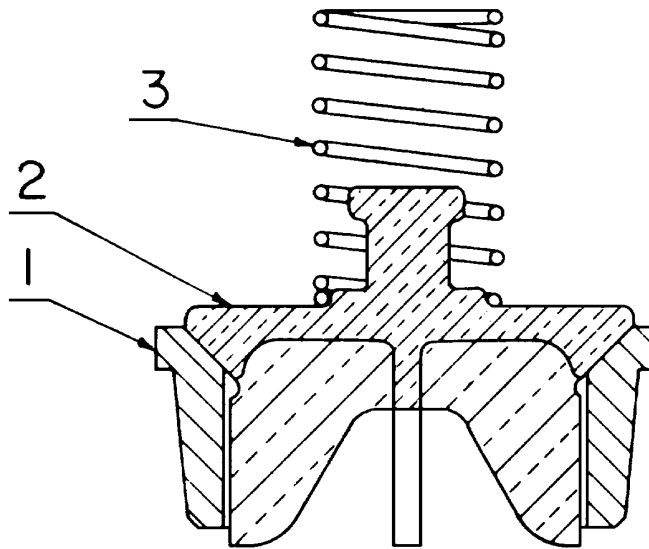
B37360
(Ref. Drawing)

**CENTER GUIDED VALVE
HARDENED STEEL WITHOUT INSERT
OIL OR GENERAL SERVICE**

Ref. No.	Name of Part	Qty.	Models	
			Part No.	Part No.
1	SEAT-VALVE	8	1FG451	PA451
2	VALVE-FLUID	8	3FG482	EF482
3	SPRING	8	78A134	78A299
4	COVER-VALVE	8	FD147	9FC147
5	GASKET, Valve Cover	8	25AV18	25AL36

For the above valves use (1) 3AUX545 Valve Seat Puller Assembly as shown on page 37.

Order by Part Number and Description. Reference Numbers for your convenience only.



B75798
(Ref. Drawing)

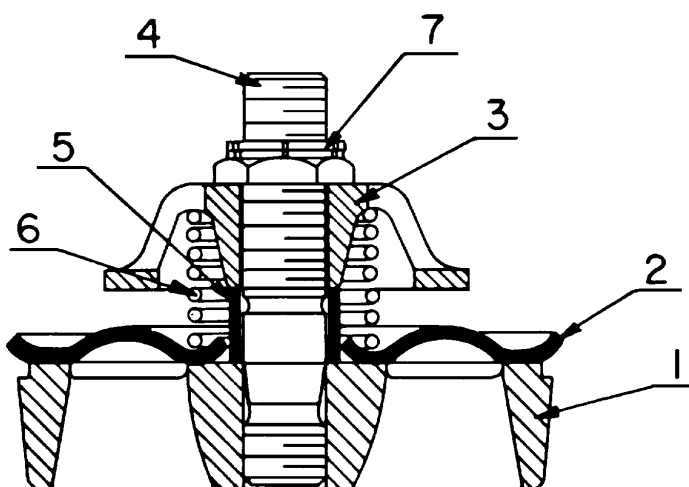
**WING GUIDED VALVE
BEVELLED SEAT WITHOUT INSERT
OIL, WATER OR GENERAL SERVICE**

Ref. No.	Name of Part	Qty.	Models	
			IRON FITTED Part No.	BRASS FITTED Part No.
1	SEAT-VALVE	8	FG39	FG39
2	VALVE-FLUID	8	FG69	1FG69
3	SPRING	8	78A172	78D72
Ø	COVER-VALVE	8	FD147	FD147
Ø	GASKET, Valve Cover	8	25AV18	25AV18

For the above valve use one (1) 1AUX545 Valve Seat Puller Assembly as shown on page 36.

Ø Not shown on illustration

Order by Part Number and Description. Reference Numbers for your convenience only.



A76954
(Ref. Drawing)

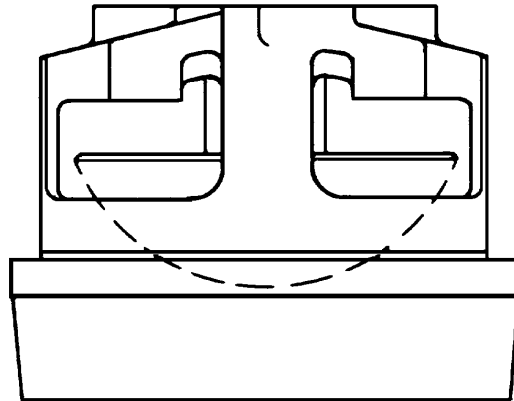
**DURABLA VALVE
STAINLESS STEEL
GENERAL SERVICE (OPTIONAL)**

Ref. No.	Name of Part	Qty.	Model FXER_B Part No.	Models	
				FXES_B FXET_B Part No.	Model FXEU_B Part No.
	FLUID VALVE ASSEMBLY, Includes Ref. No. 1 thru 7	8	1F01602	2FG1602	2PA1602
1	VALVE SEAT ASSEMBLY	8	2109269	18FG39A*	9PA39A*
2	DISC	8	2109264	90AN23	90AN21
3	GUARD	8	2109265	50AK11	50AK11
4	STUD	8	2109266	79AG14*	79AG15*
5	SLEEVE	8	2109267	80K10	80K10
6	SPRING	8	78R7	78R3	78R3
7	SPRING	8	2109268	50AK14	50AK14
Ø	COVER-VALVE	8	3FY147	4FD147	201FCC147
Ø	GASKET, Valve Cover	8	25U32	25G18	25AL36

Ø Not shown on illustration.

* Stud furnished with SEAT but may be purchased separately.

Order by Part Number and Description. Reference Numbers for your convenience only.



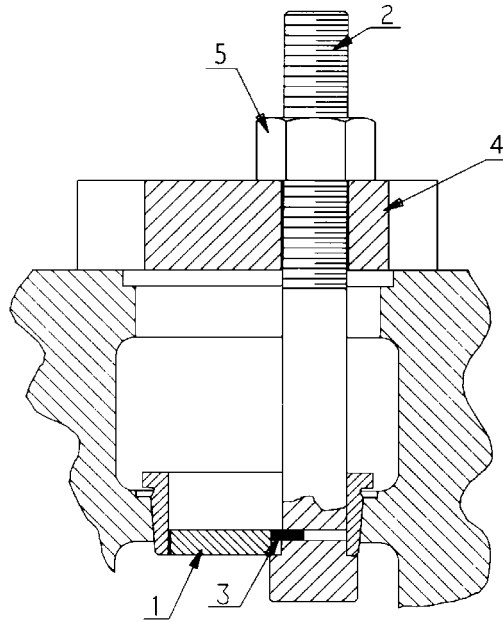
A76953
(Ref. Drawing)

**BALL GUIDED SPHERICAL VALVE
OIL, WATER OR GENERAL SERVICE
(OPTIONAL)**

Ref. No.	Name of Part	Qty.	Models		
			Models FXEJ_B FXEN_B FXER_B Part No.	Models FXEK_B FXEL_B FXEP_B FXES_B FXET_B Part No.	Models FXEM_B FXEQ_B FXEU_B Part No.
1	FLUID VALVE ASSEMBLY (Steel)	8	3F01614	3FG1614	3PA1614
1	FLUID VALVE ASSEMBLY (Stainless Steel)	8	6F01614	6FG1614	6PA1614
1	FLUID VALVE ASSEMBLY (Bronze)	8	F01614	FG1614	PA1614
Ø	COVER-VALVE	8	3FY147	4FD147	201FCC147
Ø	GASKET, Valve Cover	8	25U32	25G18	25AL36

Ø Not shown on illustration.

Order by Part Number and Description. Reference Numbers for your convenience only.



C76952
(Ref. Drawing)

**VALVE SEAT PULLER
WING GUIDED & GRAVEL TYPE
(OPTIONAL EQUIPMENT)**

Models

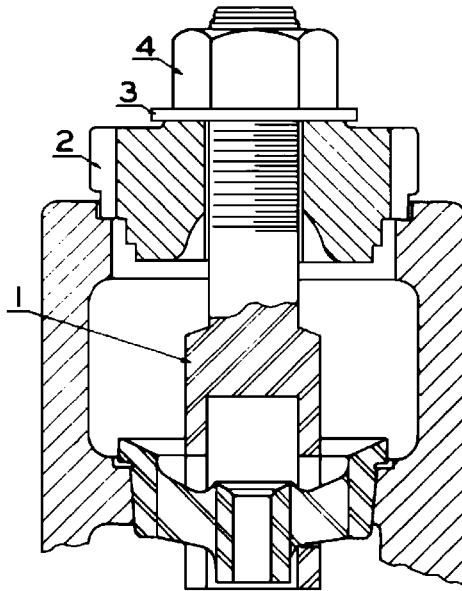
- FXEB_B
- FXEC_B
- FXEF_B
- FXEG_B
- FXEK_B
- FXEL_B
- FXEP_B
- FXES_B
- FXET_B

Models

- FXEA_B, FXEE_B
- FXEJ_B, FXEN_B
- AND FXER_B

Ref. No.	Name of Part	Qty.	Part No.	Part No.	Part No.
			WING GUIDED	GRAVEL TYPE	GRAVEL TYPE
	PULLER ASSEMBLY, Valve Seat, Includes Ref. No. 1 thru 5	1	201FYY219A	202FYY219A	200FGG219A
1	PULLER, Valve Seat	1	201FYY219	202FYY219	200FGG219
2	BOLT-PULLER	1	2015079	2015079	2015079
3	PIN-SPRING ROLL	1	62R40	62R40	62R40
4	PLATE-PULLER	1	3AUX292	3AUX292	3AUX292
5	NUT-HEX	1	50T62	50T62	50T62

Order by Part Number and Description. Reference Numbers for your convenience only.



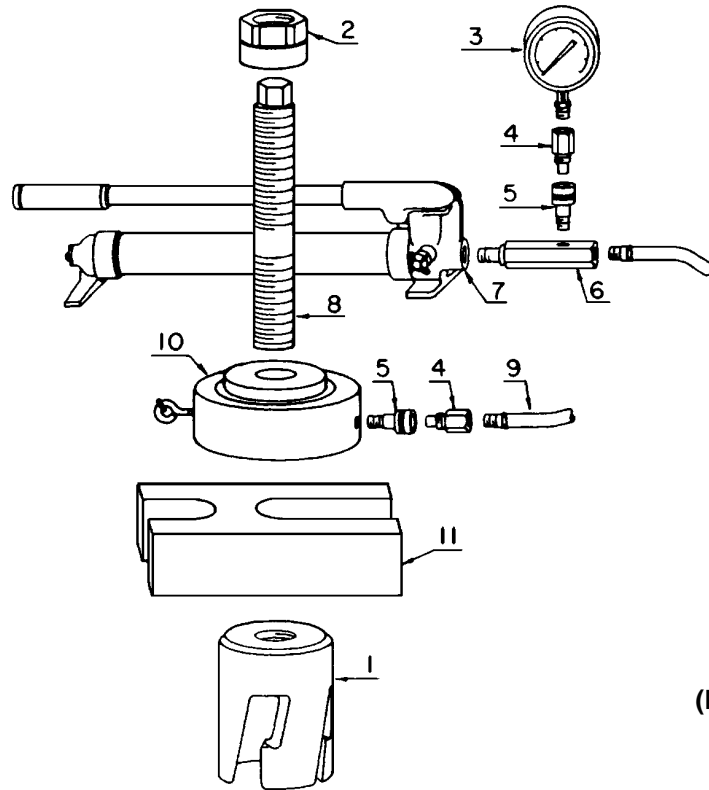
B37975
(Ref. Drawing)

**VALVE SEAT PULLER
CENTER GUIDED
(OPTIONAL EQUIPMENT)**

Models		
FXEB_B	FXEC_B	FXED_B
FXEF_B	FXEG_B	FXEH_B
FXEK_B	FXEL_B	FXEM_B
FXES_B	FXEP_B	FXEQ_B
FXET_B AND FXEU_B		
Part No.		

Ref. No.	Name of Part	Qty.	Part No.
	PULLER ASSEMBLY, Includes Ref. No. 1 thru 4	1	3AUX545
1	PULLER	1	AUX549
2	PLATE-PULLER	1	4AUX292
3	WASHER	1	95A22
4	NUT	1	50T161

Order by Part Number and Description. Reference Numbers for your convenience only.



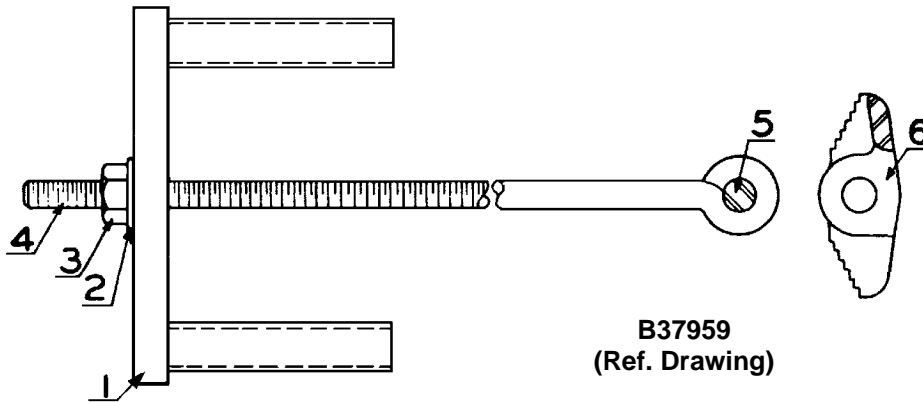
B75885
(Ref. Drawing)

**VALVE SEAT PULLER
CENTER GUIDED TYPE
(OPTIONAL EQUIPMENT)**

Ref. No.	Name of Part	Qty.	Models FXEA_B FXEE_B FXEJ_B FXER_B Part No.
1	HEAD (Not included with 100E15 Puller)	1	100E16
	VALVE SEAT PULLER ASSEMBLY, Includes Ref. No. 2 thru 11	1	100E15
2	NUT	1	2117045
3	GAUGE	1	2117054
4	HOSE COUPLING (Male)	1	
5	HOSE COUPLING (Female)	1	
6	BUSHING	1	
7	HYDRAULIC PUMP	1	2117050
8	STEM	1	2117044
9	HYDRAULIC HOSE	1	2117049
10	HYDRAULIC JACK	1	2117043
11	PULLER CROSSBAR	1	2117046
12	TOOL BOX (Not shown)	1	2117055

Part Numbers are listed only for those parts normally furnished for repair.

Order by Part Number and Description. Reference Numbers for your convenience only.



B37959
(Ref. Drawing)

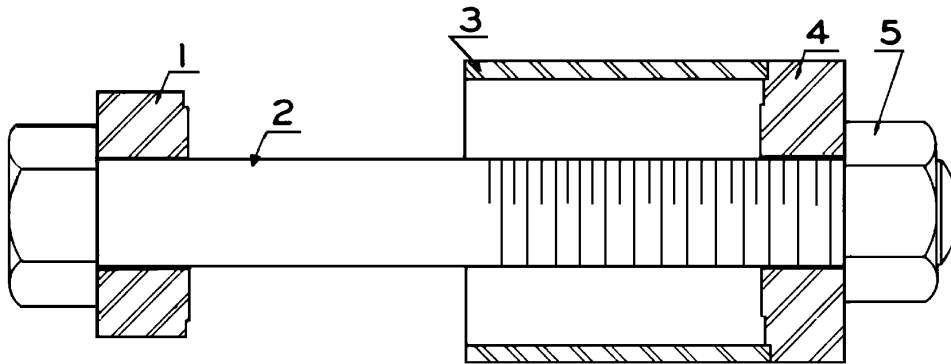
**LINER PULLER
(OPTIONAL EQUIPMENT)**

Ref. No.	Name of Part	Qty.	Models		
			Part No.	Part No.	Part No.
	PULLER ASSEMBLY, Includes				
	Ref. No. 1 thru 6	1	EF284	FD284	1FD345A
1	TOOL, Liner Puller	1	FC346	FD346	FD346
2	WASHER-PLAIN	1	95A8	95A8	95A8
3	NUT	1	50B8	50B8	50B8
4	BOLT-PULLER	1	FC344	FD344	FD344
5	PIN	1	62A93	62A93	62A93
6	PULLER	1	EF345	EF345	1FD345

**LINER PULLER
(OPTIONAL EQUIPMENT)**

Ref. No.	Name of Part	Qty.	Model
			Part No.
1	PULLER LINER (Mechanical)	1	100E18

Order by Part Number and Description. Reference Numbers for your convenience only.

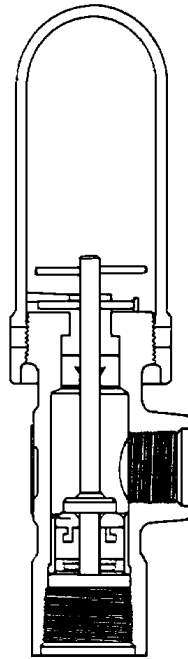


C37973
(Ref. Drawing)

**CROSSHEAD PIN BUSHING PULLER
(OPTIONAL EQUIPMENT)**

Ref. No.	Name of Part	Qty.	All Models
	CROSSHEAD PIN BUSHING PULLER ASSEMBLY, Includes Ref. No. 1 thru 5	1	FXD1585
1	PLATE	1	FXD1277
2	BOLT-PULLER	1	FXX1279
3	BUSHING	1	FXD1278
4	PLATE-PULLER	1	FXD1276
5	NUT, Puller Bolt	1	50T161

Order by Part Number and Description. Reference Numbers for your convenience only.



**DISCHARGE PRESSURE RELIEF VALVE (SHEAR TYPE)
(OPTIONAL EQUIPMENT)**

MODELS

FXEB_B FXEC_B FXED_B FXEF_B
 FXEG_B FXEH_B FXEK_B FXEL_B
 FXEM_B FXEP_B FXEQ_B FXES_B
 FXET_B FXEU_B

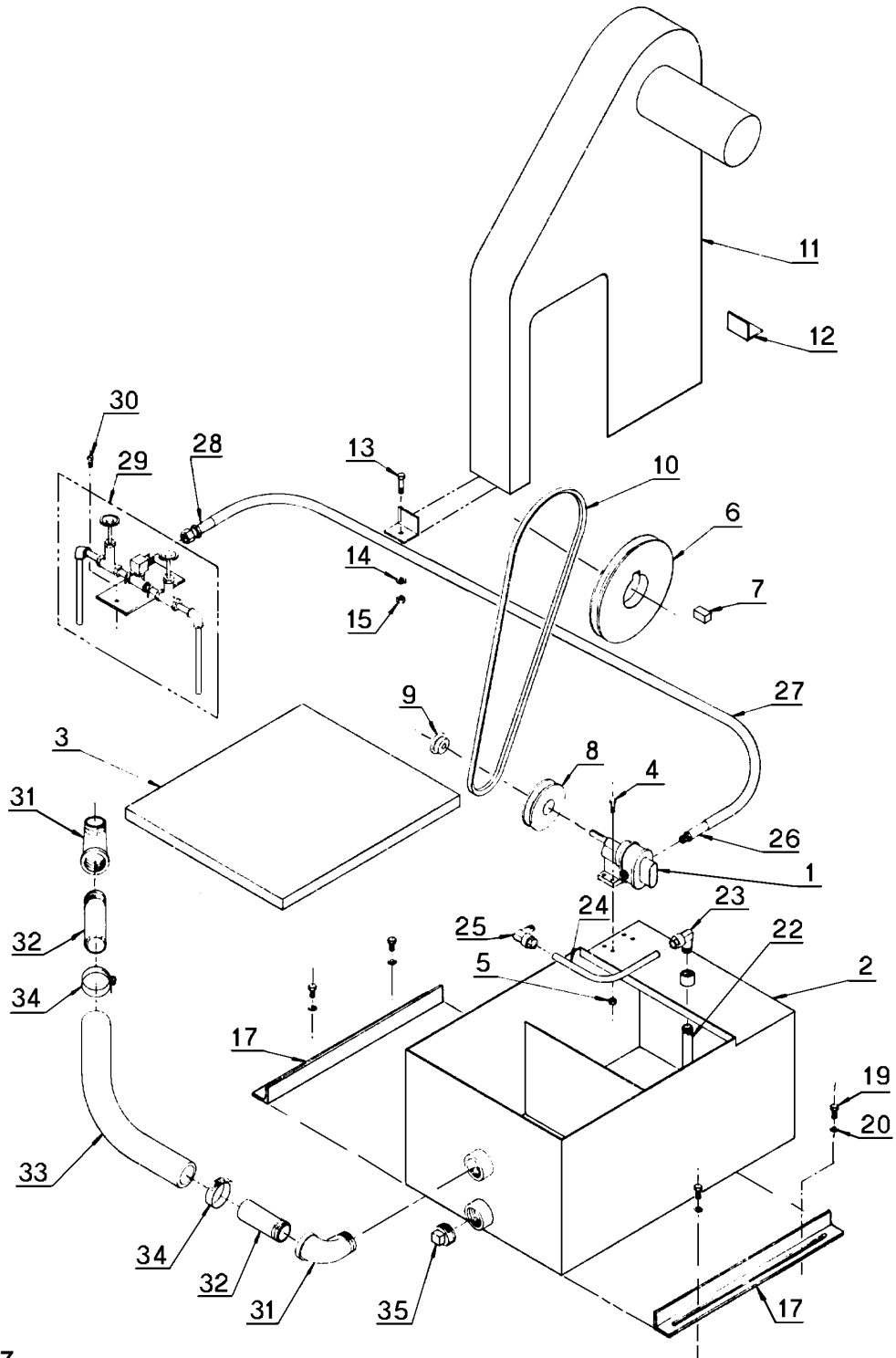
PSI	Part Number
125 – 500 PSI	5825319
500 – 1375 PSI	187922
1000 – 2750 PSI	200TFE169

MODELS

FXEA_B FXEE_B FXEJ_B
 FXEN_B FXER_B

PSI	Part Number
125 – 500 PSI	5825319
500 – 1375 PSI	187922

**ROD OILER
(OPTIONAL EQUIPMENT)**



**D77007
(Ref. Drawing)**

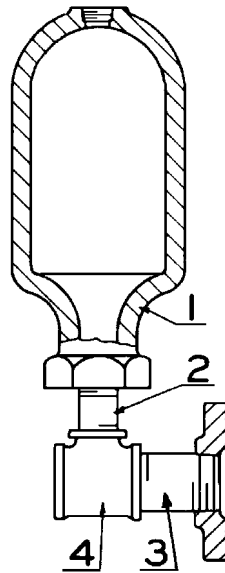
FOR LIST OF PARTS SEE PAGE 43.

Order by Part Number and Description. Reference Numbers for your convenience only.

**ROD OILER
(OPTIONAL EQUIPMENT)**

Ref. No.	Name of Part	Qty.	Models	
			Part No.	Part No.
			Models	Models
			FXEA_B	FXEB_B FXEL_B
			FXEE_B	FXEC_B FXEM_B
			FXEJ_B	FXED_B FXEP_B
			FXEN_B	FXEF_B FXEQ_B
			FXER_B	FXEG_B FXES_B
				FXEH_B FXET_B
				FXEK_B FXEU_B
1	PUMP	1	46C14	46C14
2	TANK LUBE OIL	1	200FXD250	200FXD250
3	COVER-TANK	1	200FXD249	200FXD249
4	SCREW, Pump to Tank	4	75A130	75A130
5	NUT, Pump to Tank Screw	4	50B3	50B3
6	SHEAVE, Jackshaft	1	126998	126998
7	KEY, Sheave to Jackshaft	1	118518	118518
8	SHEAVE, Oil Pump	1	141322	141322
9	HUB, Sheave to Oil Pump	1	22F09SH	22F09SH
10	BELT	1	13C85	13C84
11	GUARD-AUXILLIARY	1	201FXD240	202FXD240
12	LUG, to Mount Auxilliary Guard	2	5400840	5400840
13	SCREW, to Mount Auxilliary Guard	2	75A7	75A7
14	WASHER, to Mount Auxilliary Guard	2	95B3	95B3
15	NUT, to Mount Auxilliary Guard	2	50B3	50B3
17	SUPPORT, Lube Oil Tank (Short)	2	5400839	5400839
19	SCREW, to Mount Lube Oil Tank	4	75A7	75A7
20	WASHER, to Mount Lube Oil Tank	4	95B3	95B3
22	NIPPLE	2	63F14	63F14
23	ELBOW-TUBE	1	86N6	86N6
24	TUBE	18"	85D8B	85D8B
25	ELBOW-TUBE	1	86N13	86N13
26	COUPLING-HOSE	1	29Q154	29Q154
27	HOSE-HYDRAULIC	96"	R5D	R5D
28	COUPLING-HOSE	1	29Q145	29Q145
29	LUBRICATOR HOSE	1	200FXD275	200FXD275
30	SCREW, Lubricator Assembly to Pump	2	75A188	75A188
31	ELBOW-PIPE	2	64D7	64D7
32	NIPPLE	2	63AJ20X50	63AJ20X50
33	HOSE-COOLANT	1	2009155	2009155
34	CLAMP-HOSE	2	29B33	29B33
35	PLUG	2	64A7	64A7

Order by Part Number and Description. Reference Numbers for your convenience only.



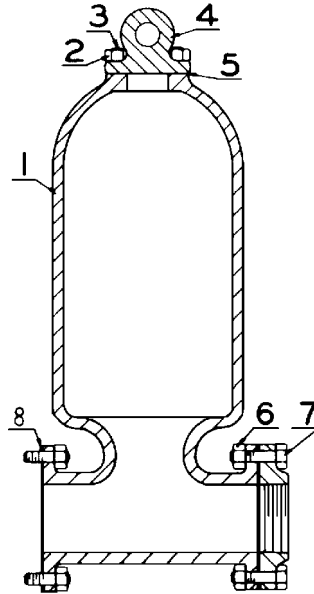
A37955
(Ref. Drawing)

**SURGE CHAMBER
(OPTIONAL EQUIPMENT)**

Ref. No.	Name of Part	Qty.	Models	Models
			Part No.	Part No.
1	CHAMBER-SURGE	1	1FC44	EW44
2	NIPPLE	1	63V32X24	63U32X24
3	NIPPLE, Discharge	1	63V48X40	63U48X40
4	TEE-PIPE	1	64G30	64G30
Ø	BUSHING-PIPE	1	64E109	64E109

Ø Not shown on drawing.

Order by Part Number and Description. Reference Numbers for your convenience only.



A37956
(Ref. Drawing)

**SURGE CHAMBER
(OPTIONAL EQUIPMENT)**

Models

FXEA_B

FXEE_B

FXEJ_B

FXEN_B

FXER_B

Ref. No.	Name of Part	Qty.	Part No.
1	SURGE CHAMBER ASSEMBLY, Includes Ref. No. 2 thru 5	1	2FY44A
2	NUT, Top Flange Stud	4	50B5
3	STUD, Top Flange	4	79A238
4	FLANGE-TOP	1	BF117
5	GASKET, Top Flange	1	25C539N
6	NUT, Discharge Flange Screw	8	50B8
7	SCREW, Discharge Flange	8	75A105
8	GASKET, Chamber to Cylinder	1	25C320N

Gardner
Denver

For additional information contact your local representative or Gardner Denver Machinery Inc., Customer Service Department, 1800 Gardner Expressway, Quincy, Illinois 62301
Telephone: (800) 682-9868 FAX: (217) 224-7814



Sales and Service in all major cities.

For parts information, contact Gardner Denver, Master Distribution Center, Memphis, TN
Telephone: (800) 245-4946 FAX: (901) 542-6159

Specifications subject to change without notice.
Copyright 1996 Gardner Denver Machinery Inc.

Litho in U.S.A.